



# 70910-xx - 4" Bar faucet

## Description

- Metal lever handles
- "SIENNA (70)" 4" center set bar faucet
- 360 deg swing angle, 9" high brass tubular spout
- 90 deg turn ceramic disc cartridges
- 1/2" NPS connections
- 1.8 GPM ASME Compliant

## Standards

- Complies with IAPMO UPC/cUPC
- California AB1953 compliant
- NSF - 61-9 tested and compliant
- ADA Accessibility Guidelines for Buildings and Facilities - 4.27.4 Controls and Mechanisms
- CALGreen compliant



• 70910-xx

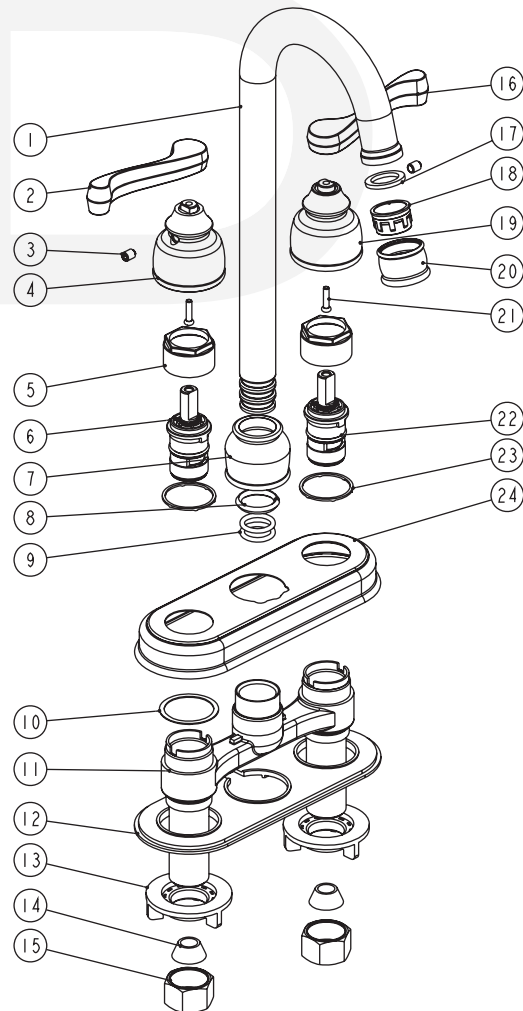


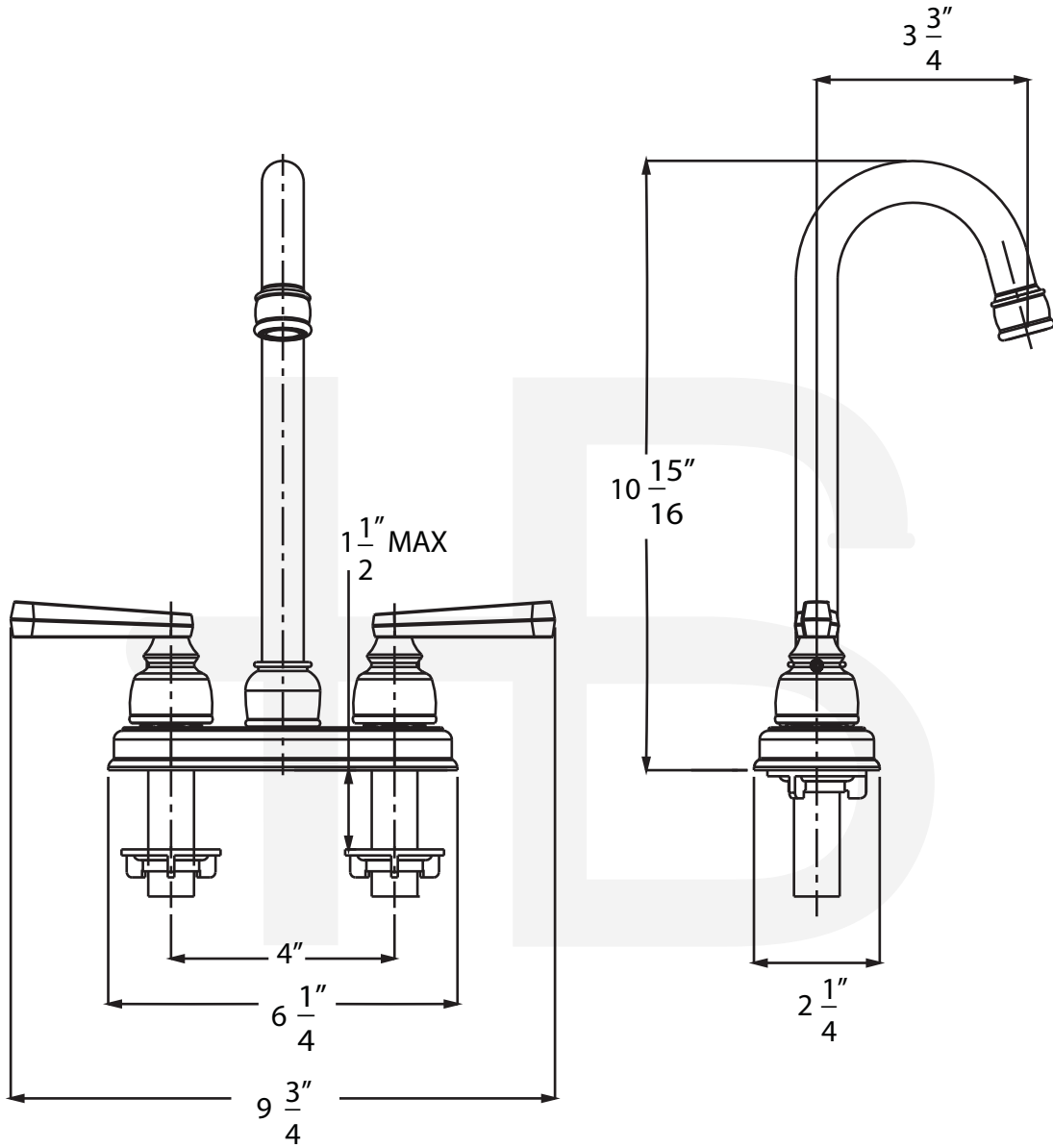
## Colors / Finishes

- 01 - Chrome
- 72 - PVD Satin Nickel
- 20 - Antique Bronze

## BREAK DOWN Component Parts List

NO.	Part No	Qty
01	CTPB0506	1
02	CTHZ0328	1
03	CTST0117	2
04	CTCZ0186	1
05	CTNZ0004	2
06	ATBA0128	1
07	CTNP0049	1
08	CTRP0007	1
09	CTRR0023	2
10	CTWT0076	2
11	ATBY0192	1
12	CTKP0030	1
13	CTNP0011	2
14	CTWR0020	2
15	CTNB0018	2
16	CTHZ0327	1
17	CTWR0021	1
18	ATBX0040	1
19	CTCZ0185	1
20	CTXP0017	1
21	CTST1104	2
22	ATBA0127	1
23	CTWP0075	2
24	CTCT0058	1





Item Number	Type	Date
70910-xx	Bar Faucet	3/10/2011