



BAR - Single Handle Bar PLBF

Description

- Single hole bar faucet
- Ceramic disc cartridges
- Brass lever handles
- Solid brass construction

Standards

- ASME A112.18.1 Compliant
- Listed IAPMO / UPC & CUPC
- ADA Accessibility Guidelines for Buildings and Facilities - 4.27.4 Controls and Mechanisms (lever handle only)
- NSF - 61-9 tested and approved
- CSA B125.1 Compliant and listed



Colors / FinishES

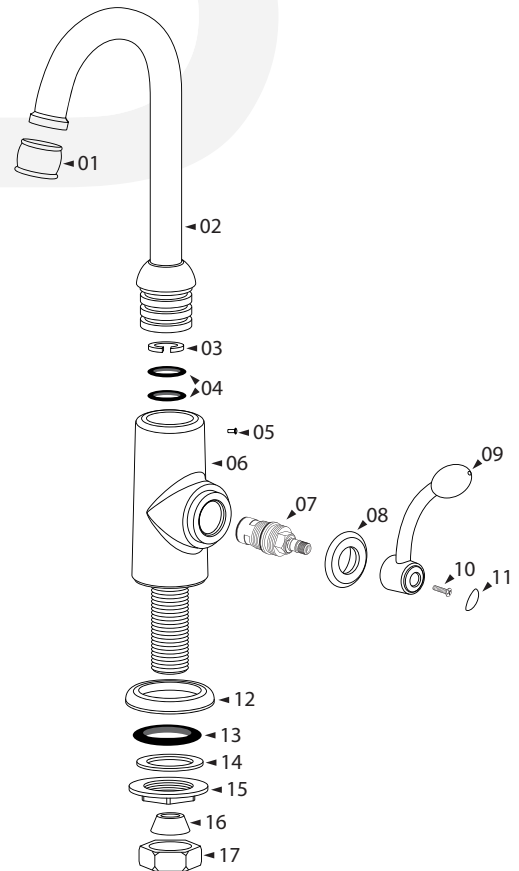
- | | |
|---------------------|----------------------------|
| 01 - Chrome | 29 - Polished Nickel |
| 12 - Satin Nickel | 70 - Polished Brass (PVD) |
| 20 - Antique Bronze | 71 - Polished Nickel (PVD) |
| 21 - Antique Brass | 72 - Satin Nickel (PVD) |
| 22 - Antique nickel | 73 - Satin Brass (PVD) |
| 23 - Antique Copper | |
| 24 - Satin Copper | |
| 27 - Matte Nickel | |
| 28 - ORB | |

Please add finish code when placing order for parts with using following finish code table. For example J handle in Chrome will be BJ-01, BJ-12 for Satin Nickel.

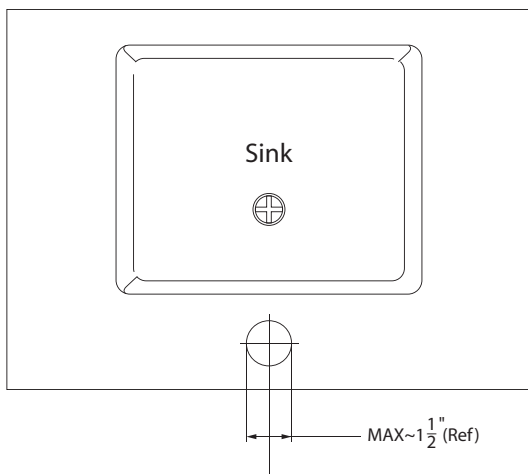
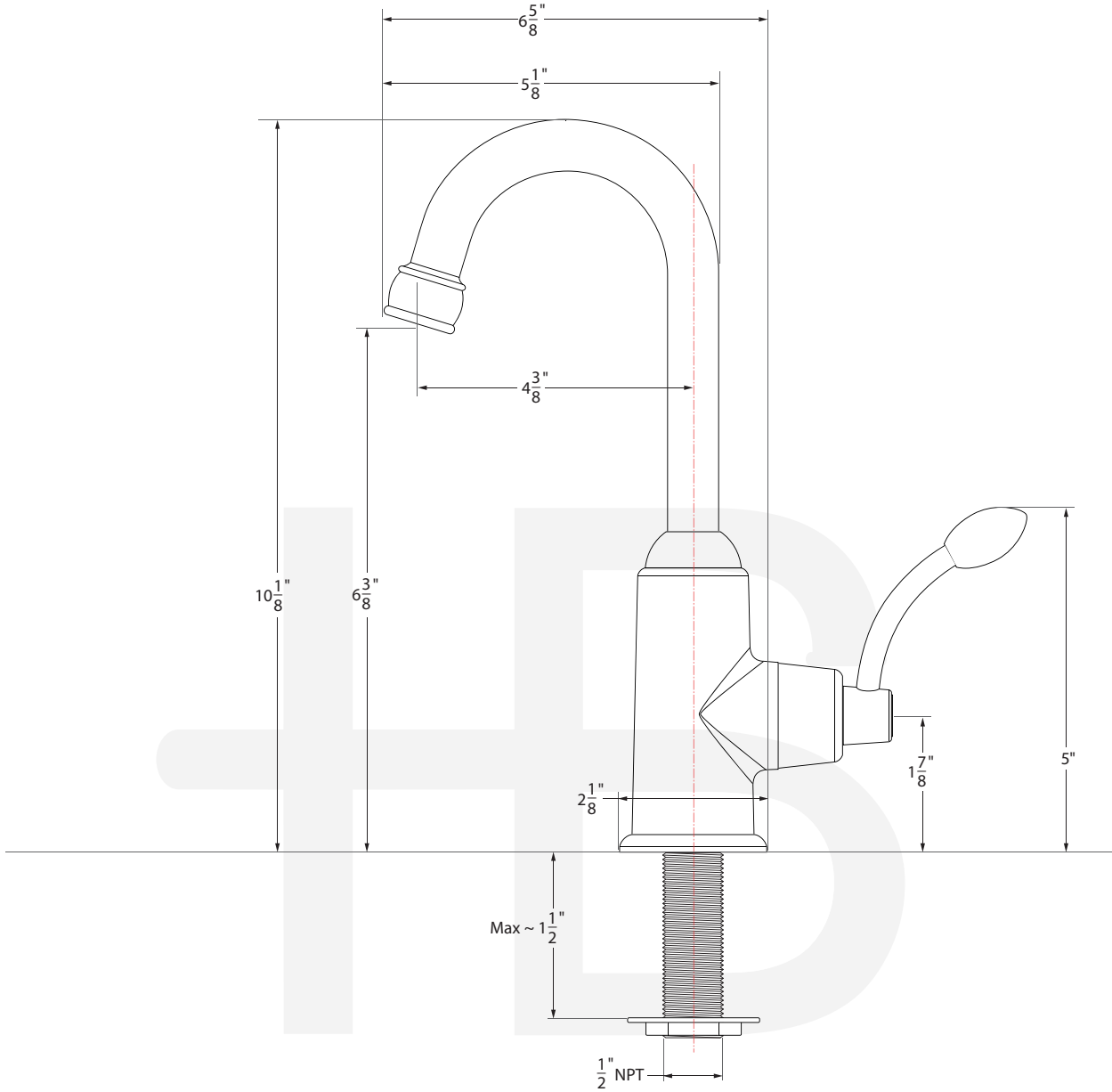
Special Handle & Escutcheon Option
AL / BX

BREAK DOWN Component Parts List

| # | PART NAME | QTY |
|----|---------------|-----|
| 1 | AERATOR | 2 |
| 2 | SPOUT | 2 |
| 3 | C-RING | 2 |
| 4 | O-RING | 2 |
| 5 | SCREW | 1 |
| 6 | BODY | 1 |
| 7 | CARTRIDGE | 2 |
| 8 | ESCUTCHEON | 2 |
| 9 | HANDLE | 1 |
| 10 | SCREW | 1 |
| 11 | INDEX BUTTON | 1 |
| 12 | PACKING | 1 |
| 13 | RUBBER WASHER | 1 |
| 14 | METAL WASHER | 1 |
| 15 | LOCK NUT | 2 |
| 16 | CONE WASHER | 1 |
| 17 | LOCK NUT | 2 |



SPECIFICATION



| Item Number | Type | Date |
|-------------|------|------------|
| PLBF1 | Bar | 07/29/2005 |