

# Single Handle 8" Kitchen Faucet K3480001, K3480029

## Description

- Lever handle
- 8" center kitchen faucet
- 360° swing angle, 9" metal spout
- Stainless steel ball washerless valve
- 1/2" IPS connections
- 1.8 GPM



• K3480001

## Standards

- ASME A112.18.1 Compliant
- Listed IAPMO / UPC
- ADA Accessibility Guidelines for Buildings and Facilities - 4.27.4 Controls and Mechanisms (lever handle only)
- NSF - 61-9 tested and approved
- CSA B125.1 Compliant and listed
- California AB1953 compliant

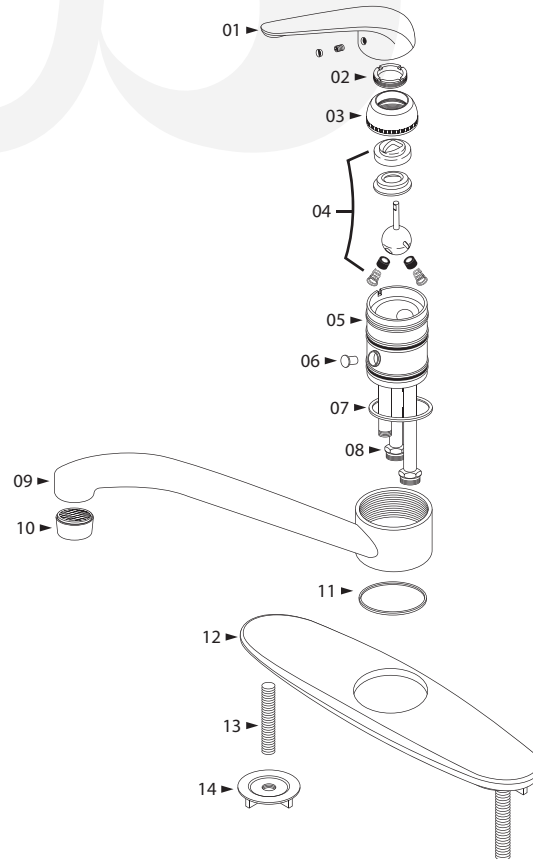


## Colors / Finishes

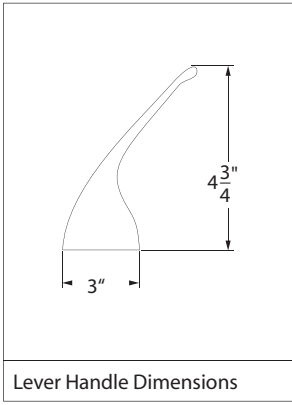
- K3480001 - Chrome
- K3480029 - Satin Nickel

## BREAK DOWN Component Parts List

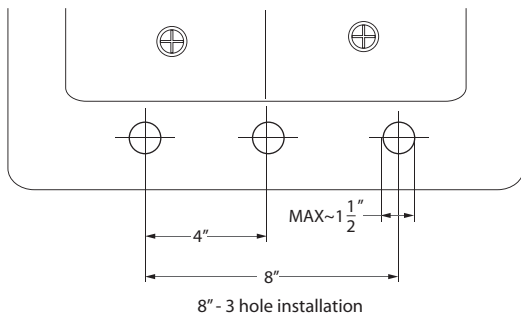
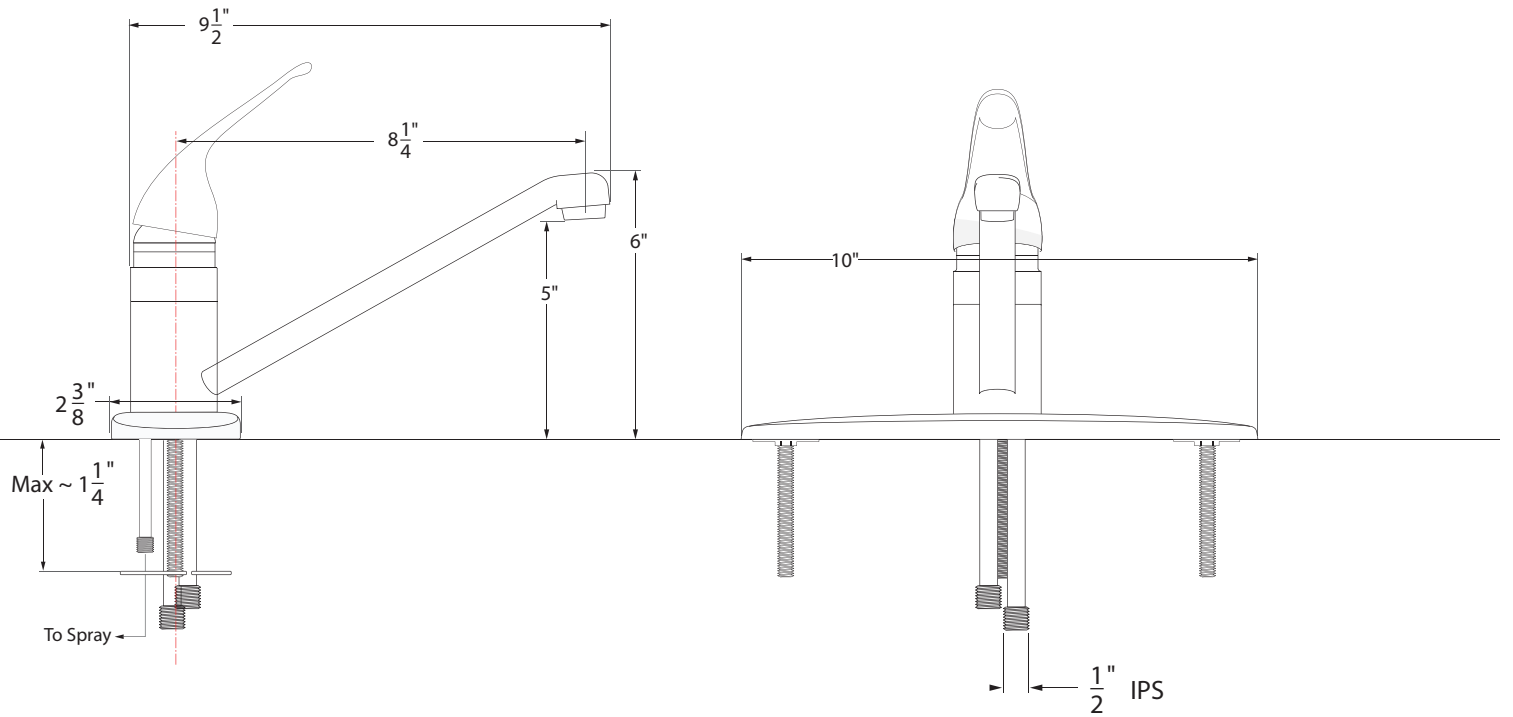
#	PART NAME	QTY
1	LEVER HANDLE	1
2	CARTRIDGE RETAINING NUT	1
3	CAP	1
4	CARTRIDGE ASSEMBLY	1
5	VALVE BODY	1
6	DIVERTER (ONLY FOR SIDE SPRAY MODEL)	1
7	BUSHING	1
8	SUPPLY LINES	2
9	SPOUT	1
10	AERATOR	1
11	BUSHING	1
12	DECK PLATE	1
13	MOUNTING SCREW	2
14	MOUNTING NUT	2



# SPECIFICATION



Lever Handle Dimensions



8" - 3 hole installation

Item Number	Type	Date
K3480001, K3480029	Single Handle Kitchen	03/23/2016