

P6120101, P6120102 - Shower Trim

Description

- Shower trim kit
- CARMEL metal lever handle
- 3" Face shower head
- Single setting shower head
- 1.5 GPM ASME compliant
- VALVE SOLD SEPARATELY

Standards

- Complies with IAPMO UPC/cUPC
- ADA Accessibility Guidelines for Buildings and Facilities - 4.27.4 Controls and Mechanisms
- CALGreen compliant



• P6120101

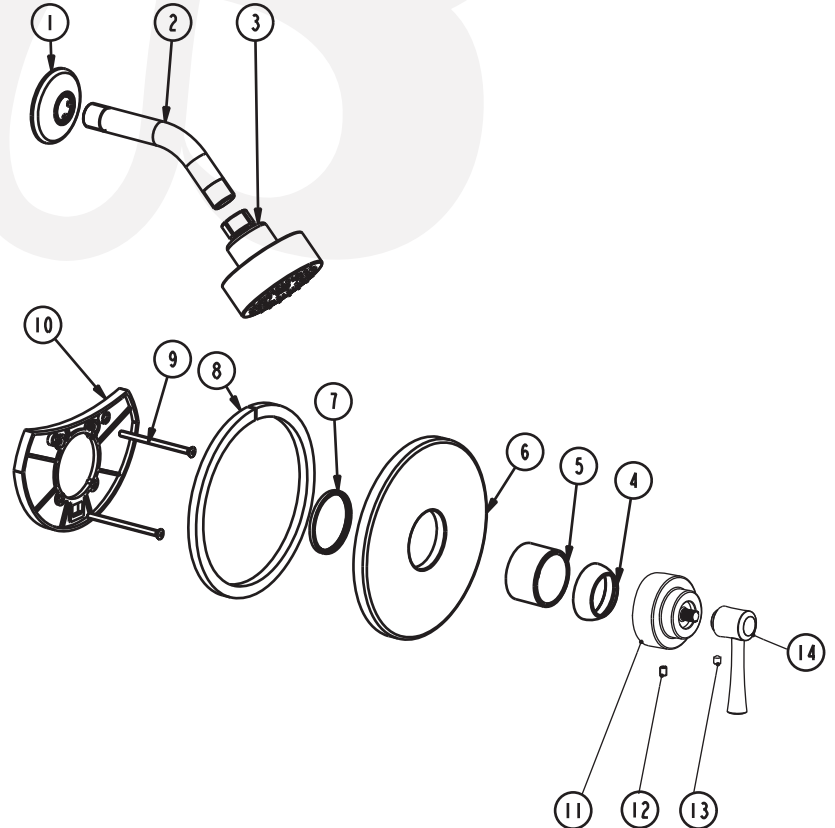


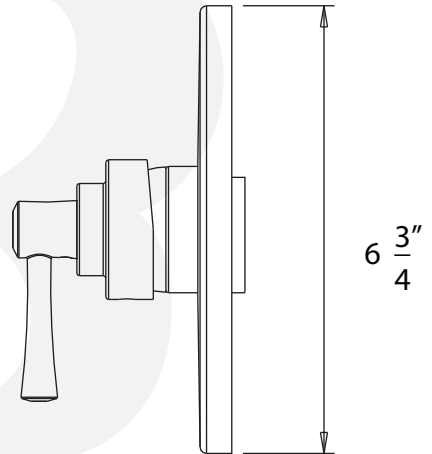
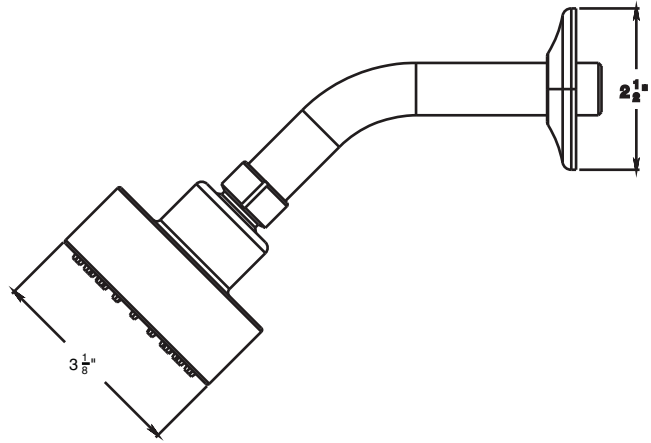
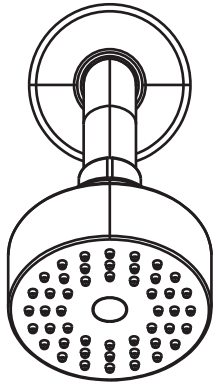
Colors / Finishes

- P6120101 - Chrome
- P6120102 - PVD Satin Nickel

**BREAK DOWN
Component Parts List**

| | | |
|------------|--------------------|-----------------|
| | | |
| | | |
| | | |
| | | |
| | | |
| | | |
| | | |
| 14 | CTHZ0288 | 1 |
| 13 | CTST4101 | 1 |
| 12 | CTST0117 | 1 |
| 11 | CTCZ0162 | 1 |
| 10 | CTKP0102 | 1 |
| 9 | CTST0230 | 2 |
| 8 | CTWR0063 | 1 |
| 7 | CTRR0123 | 1 |
| 6 | CTCP0293 | 1 |
| 5 | CTCB0670 | 1 |
| 4 | CTCP0192 | 1 |
| 3 | ATBE0152 | 1 |
| 2 | CTPT0014 | 1 |
| 1 | CTCT0070 | 1 |
| NO. | Drawing No. | Quantity |





| Item Number | Type | Date |
|--------------------|-------------|----------|
| P6120101, P6120102 | Shower Trim | 4-6-2016 |