

**S7360501, S7360502, S7360514 - Roman Tub Filler Faucet**

**Description**

- 8"-16" roman tub filler faucet
- Cast brass spout
- 90 Degree turn ceramic disc cartridges
- Quick connect spout installation
- 3/4" Brass valves
- 18 GPM @ 60 PSI

**Standards**

- Complies with IAPMO UPC/cUPC
- ADA Accessibility Guidelines for Buildings and Facilities - 4.27.4 Controls and Mechanisms



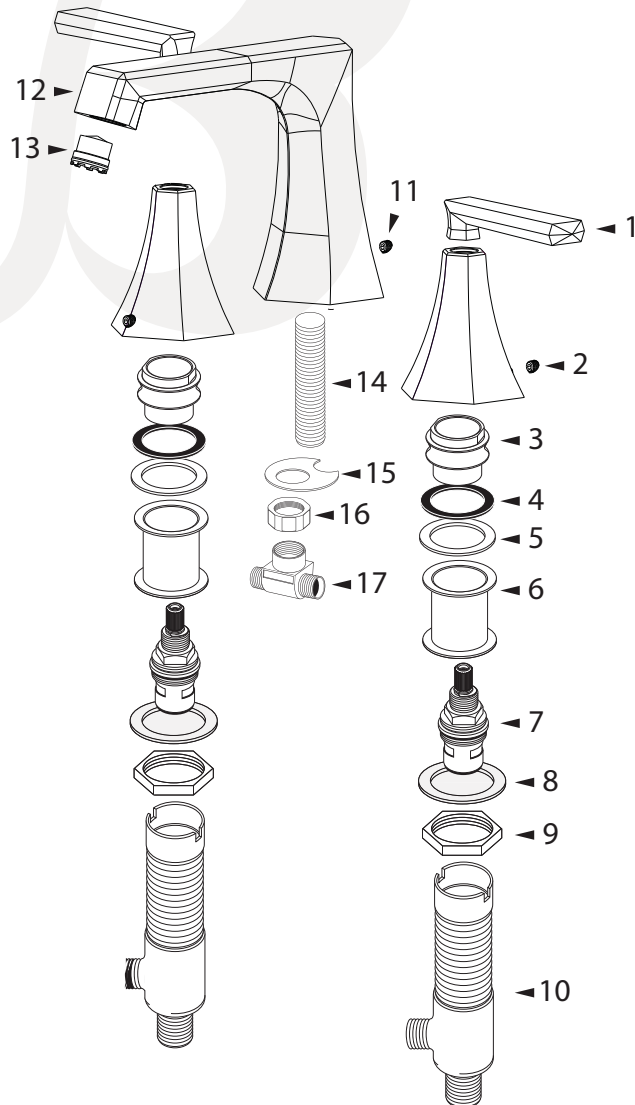
S7360501

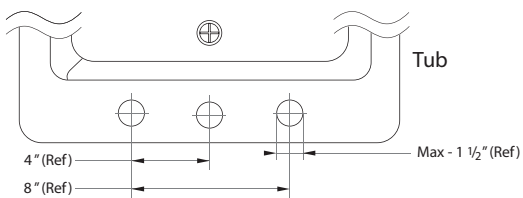
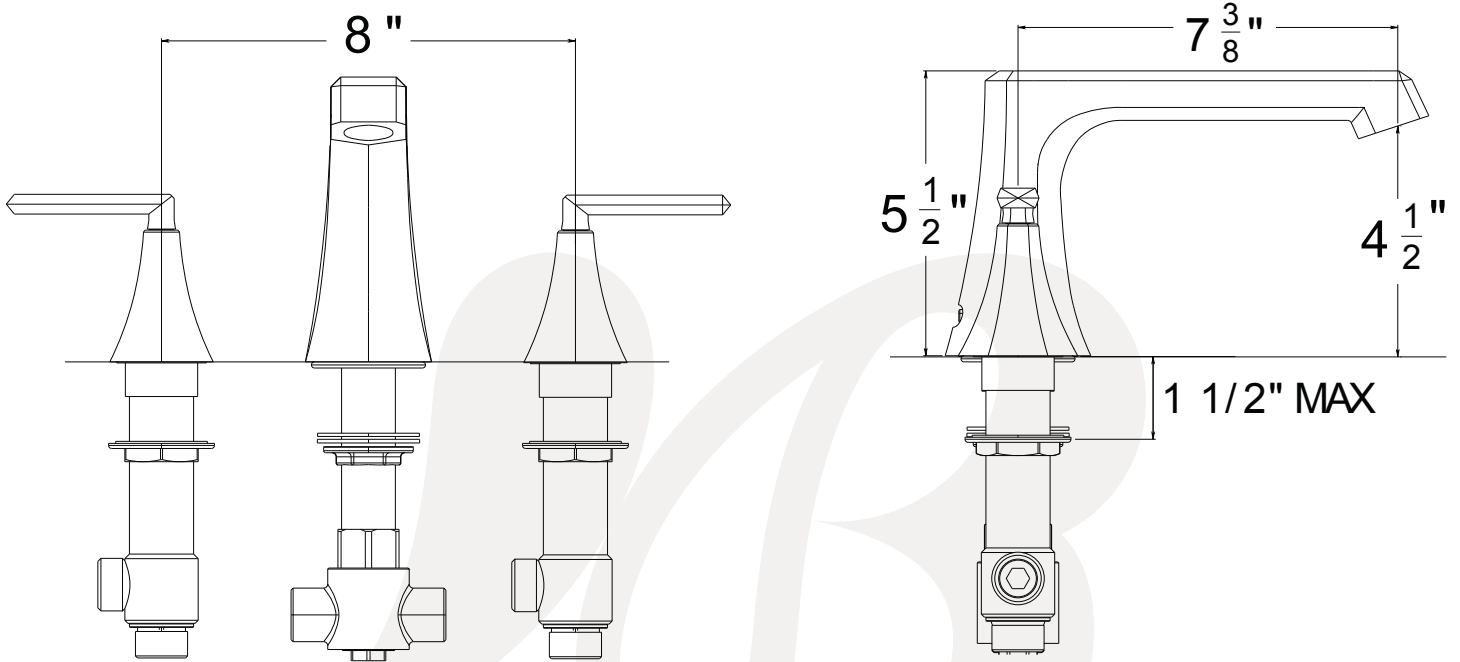
**Colors / Finishes**

- S7360501 - Chrome
- S7360502 - PVD Satin Nickel
- S7360514 - PVD Polished Nickel

**BREAK DOWN  
Component Parts List**

#	Parts	Qty
01	Handle & Escutcheon	2
02	Escutcheon set screw	2
03	Escutcheon adapter	2
04	Rubber washer	2
05	Metal washer	2
06	Spacer ring	2
07	Cartridge (hot & cold)	2
08	Plastic washer	2
09	Lock nut	2
10	Valve body	2
11	Spout set screw	1
12	Spout	1
13	Aerator	1
14	3/4" Quick connection shank	1
15	Metal washer	1
16	Hex lock nut	1
17	T-connector	1





Item Number	Type	Date
S7360501, S7360502, S7360514	Roman tub filler	2-3-2016