

**S7860701, S7860702 - Free Standing Tub Filler Faucet**
**Description**

- Free standing tub filler with handshower
- Ceramic disc cartridge
- Swiveling spout
- 8.5 GPM @ 60 PSI
- Pull diverter

**Standards**

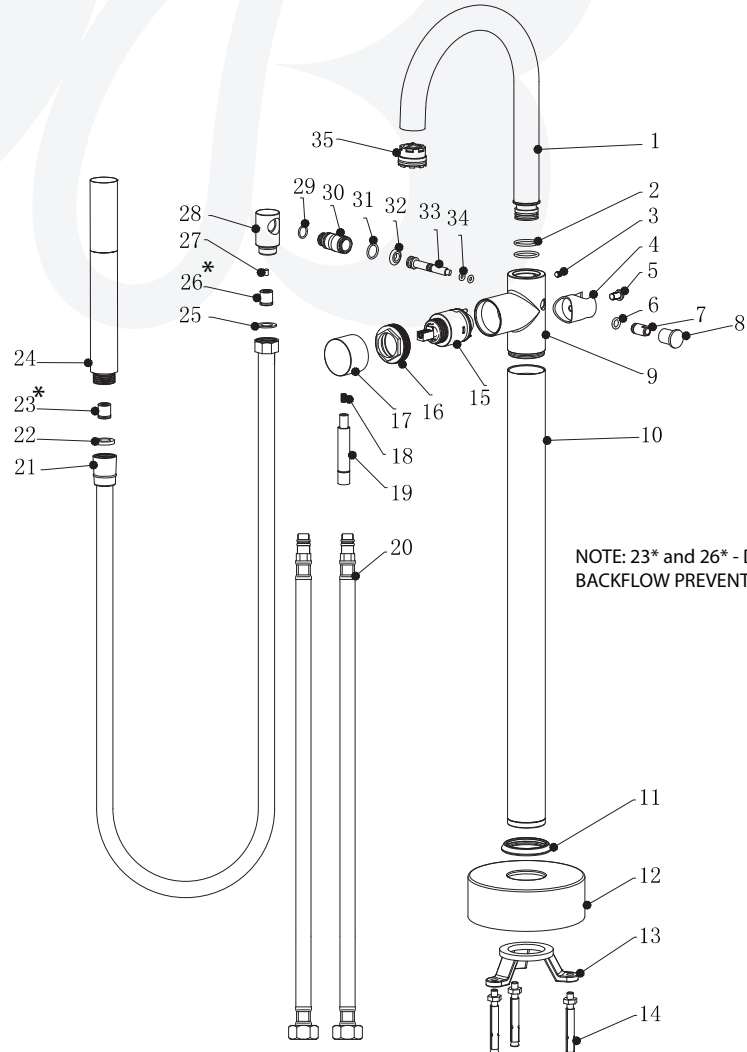
- ASME A112.18.1 Compliant
- Listed IAPMO / UPC & CUPC
- ADA Accessibility Guidelines for Buildings and Facilities - 4.27.4 Controls and Mechanisms (lever handle only)


**Colors / Finishes**

- S7860701 - Chrome
- S7860702 - PVD Satin Nickel

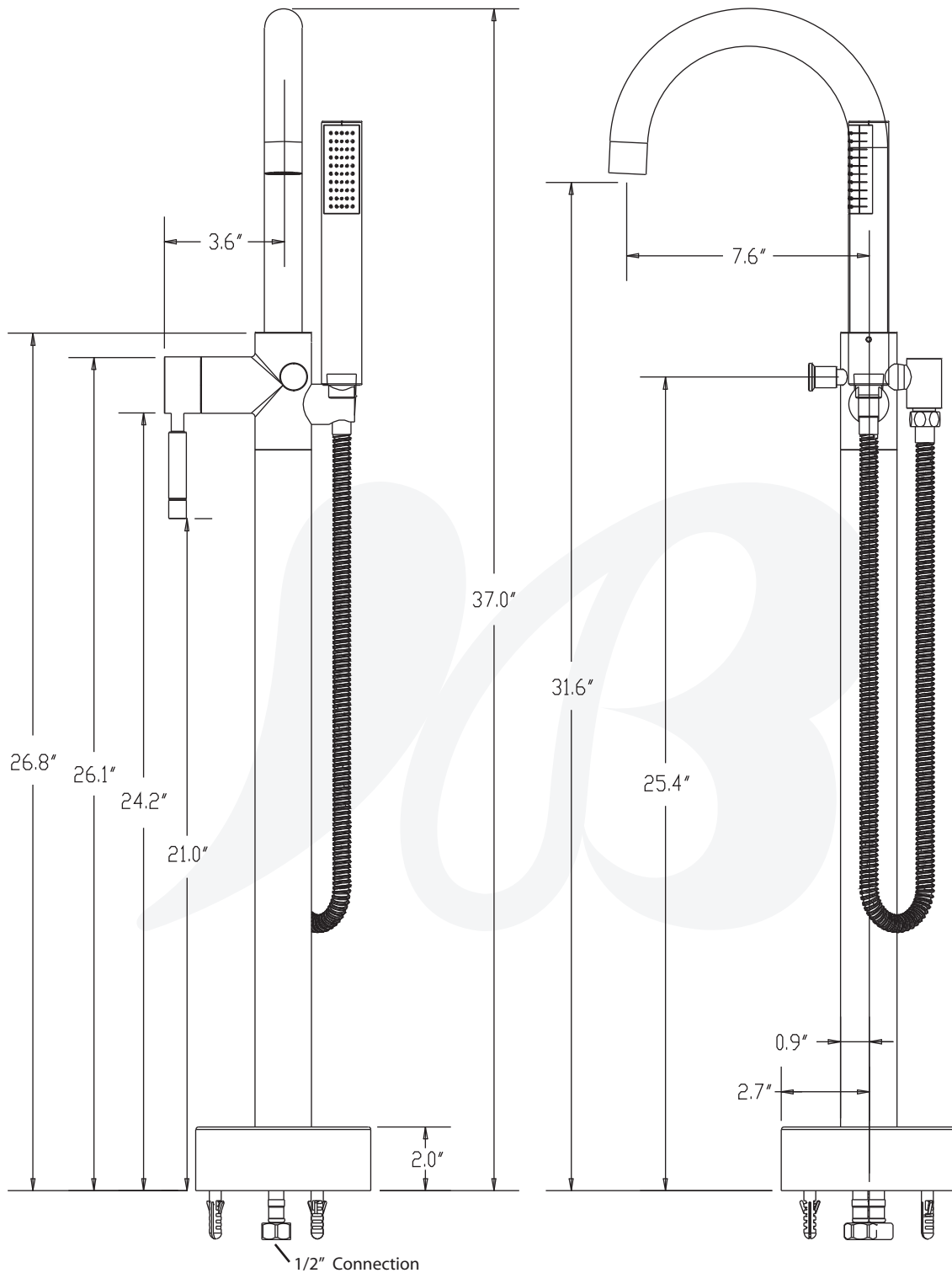

**Component Parts List**

#	PART NAME	QTY.
01	SPOUT	1
02	O-RING	2
03	SET SCREW	1
04	HAND SHOWER HOLDER	1
05	RETAINING SCREW	1
06	O-RING	1
07	INSERT, CYLINDER	1
08	END CAP	1
09	MAIN HOUSING	1
10	DECORATIVE TUBE	1
11	RUBBER RING	1
12	BONNET	1
13	MOUNTING BRACKET	1
14	SCREWS	3
15	CERAMIC DISC CARTRIDGE	1
16	CARTRIDGE RETAINING NUT	1
17	HANDLE CAP	1
18	SCREW	1
19	LEVER HANDLE	1
20	HOT AND COLD SUPPLY LINES	1 ea
21	SHOWER HOSE	1
22	FLOW REGULATOR	2
23*	CHECK VALVE	1
24	HAND SHOWER	1
25	RUBBER WASHER	1
26*	CHECK VALVE	1
27	SCREW	1
28	ELBOW	1
29	O-RING	1
30	HOUSING, CYLINDER	1
31	O-RING	1
32	RUBBER RING	1
33	PLUNGER	1
34	SCREW	1
35	AERATOR	1



NOTE: 23\* and 26\* - DUAL CHECK VALVES - BACKFLOW PREVENTION DEVICES

# SPECIFIED MODEL



Item Number	Type	Date
57860701, 57860702	Tub Filler	03/09/2016