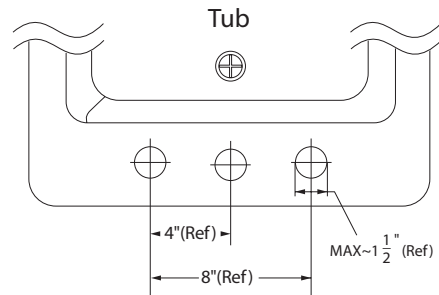
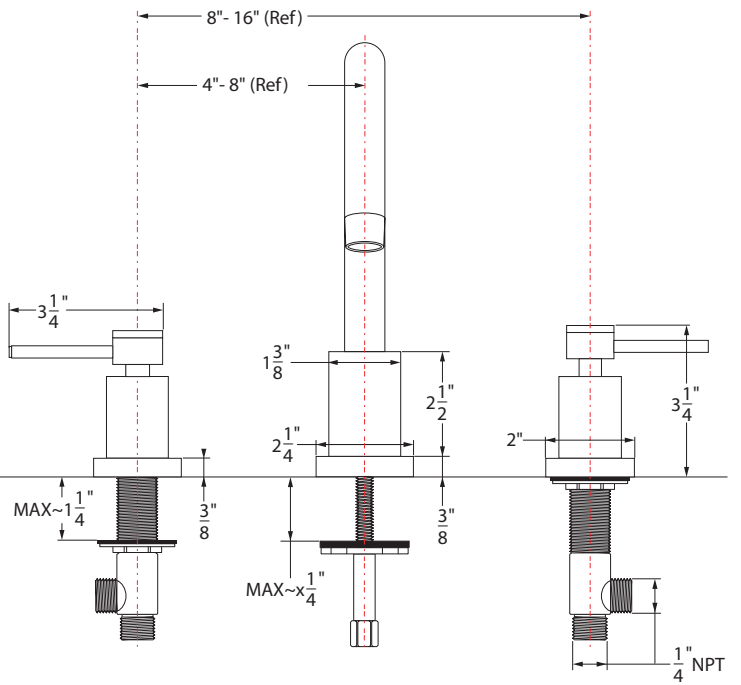
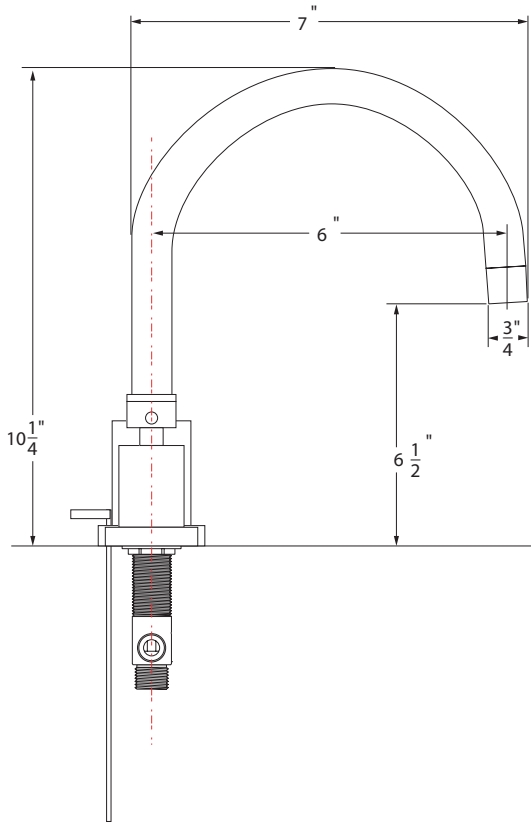


SPECIFIED MODEL - Handle Option



Item Number	Type	Date
BZWS	Wide Spread	07/29/2005