

**P0621101, P0621102, P0621103 - Sherington Valve Trim**

**Description**

- Shower trim assembly
- Metal lever handle
- VALVE SOLD SEPARATELY

**Standards**

- ADA Accessibility Guidelines for Buildings and Facilities - 4.27.4 Controls and Mechanisms



P0621101

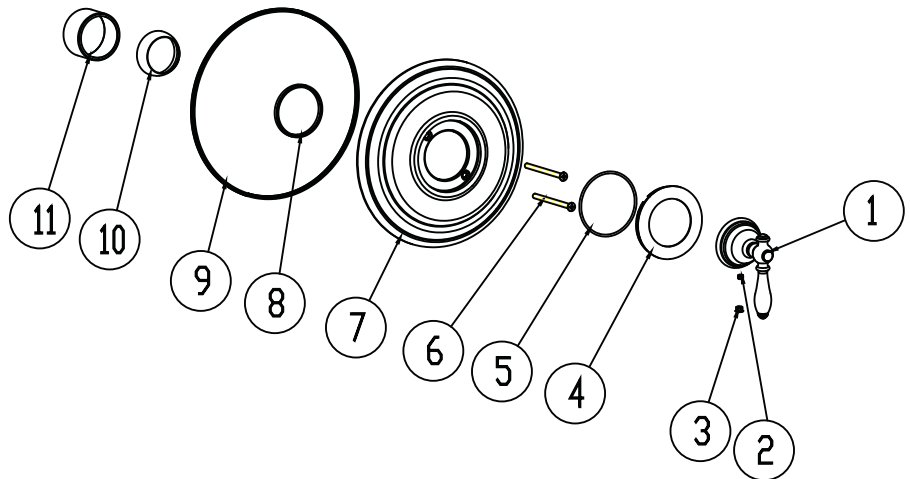


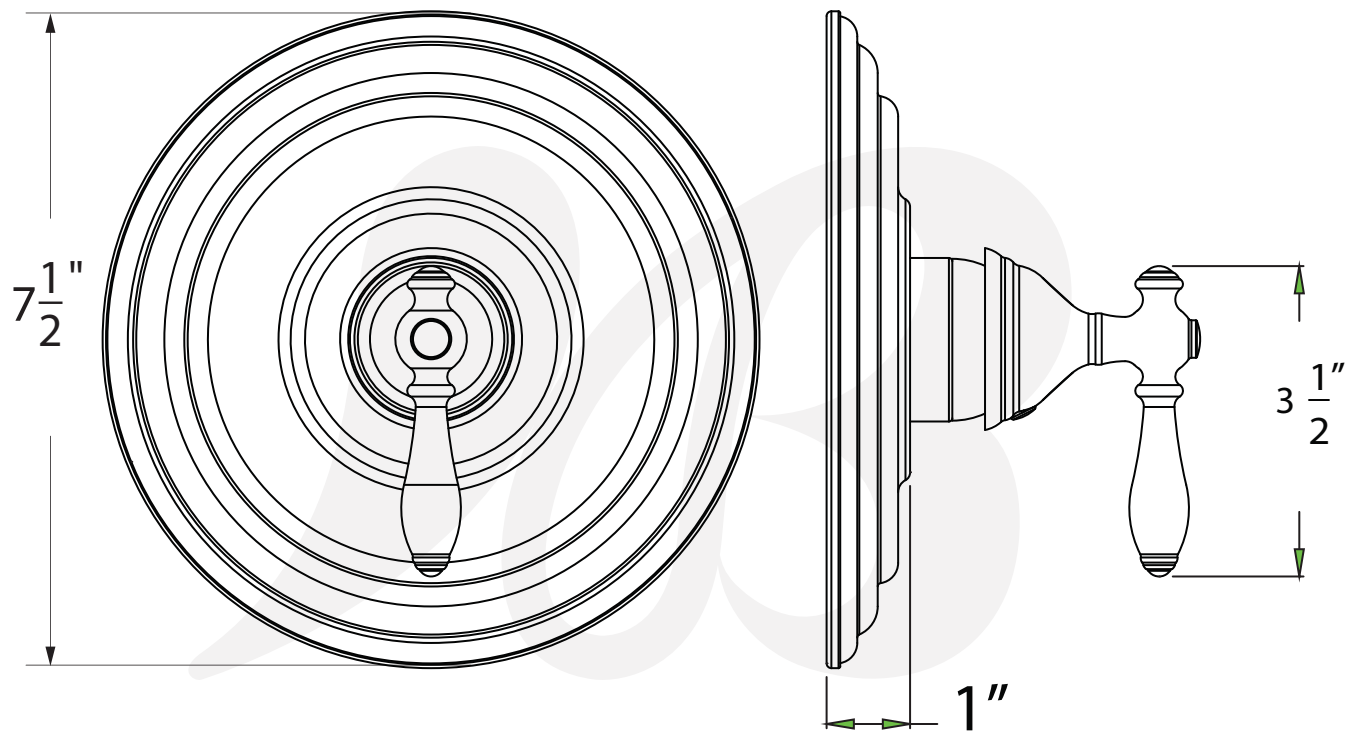
**Colors / Finishes**

- P0621101 - Chrome
- P0621102 - PVD Satin Nickel
- P0621103 - Antique Bronze

**BREAK DOWN  
Component Parts List**

NO.	Drawing No.	Part Description	Quantity
11	CTCB0670	DECORATIVE COVER	1
10	CTCP0192	COVER	1
9	CTWP0069	SEAL	1
8	CTRR0123	O-RING	1
7	CTCB0301	COVER	1
6	CTST0230	SCREW	2
5	CTRR0113	O-RING	1
4	CTCB0231	DECORATIVE COVER	1
3	CTCP0072	CAP	1
2	CTST0084	SCREW	1
1	CTHZ0525	HANDLE	1





Item Number	Type	Date
P0621101, P0621102, P0621103	Shower Only	03/07/2016