

P2023199-1 1/2" Thermostatic Rough-in Valve

Description

- Thermostatic Rough-in valve
- With on off control valve
- Hot and cold one way check valves
- Forged brass valve body
- Universal 1/2" IPS fittings
- Hot and Cold service stops
- Anchor points for installation and blocking to secure valve in wall
- 10 GPM @ 60 PSI
- Mud guard included



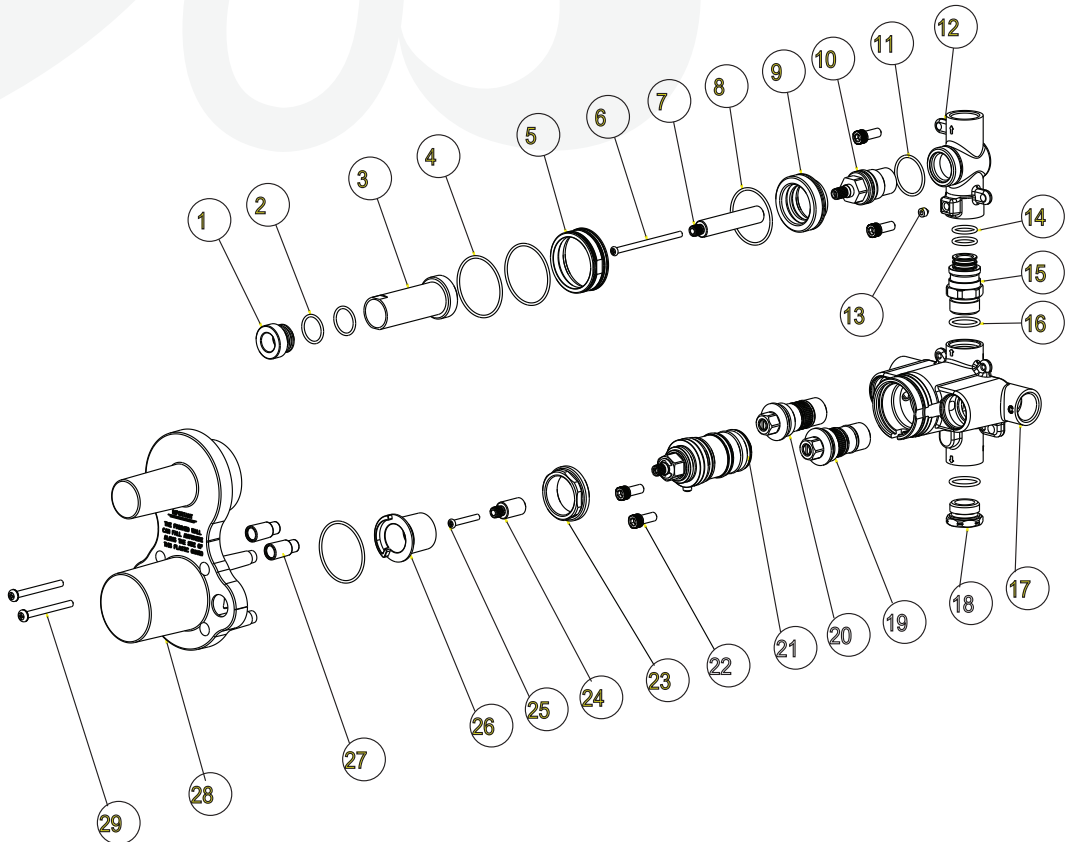
Standards

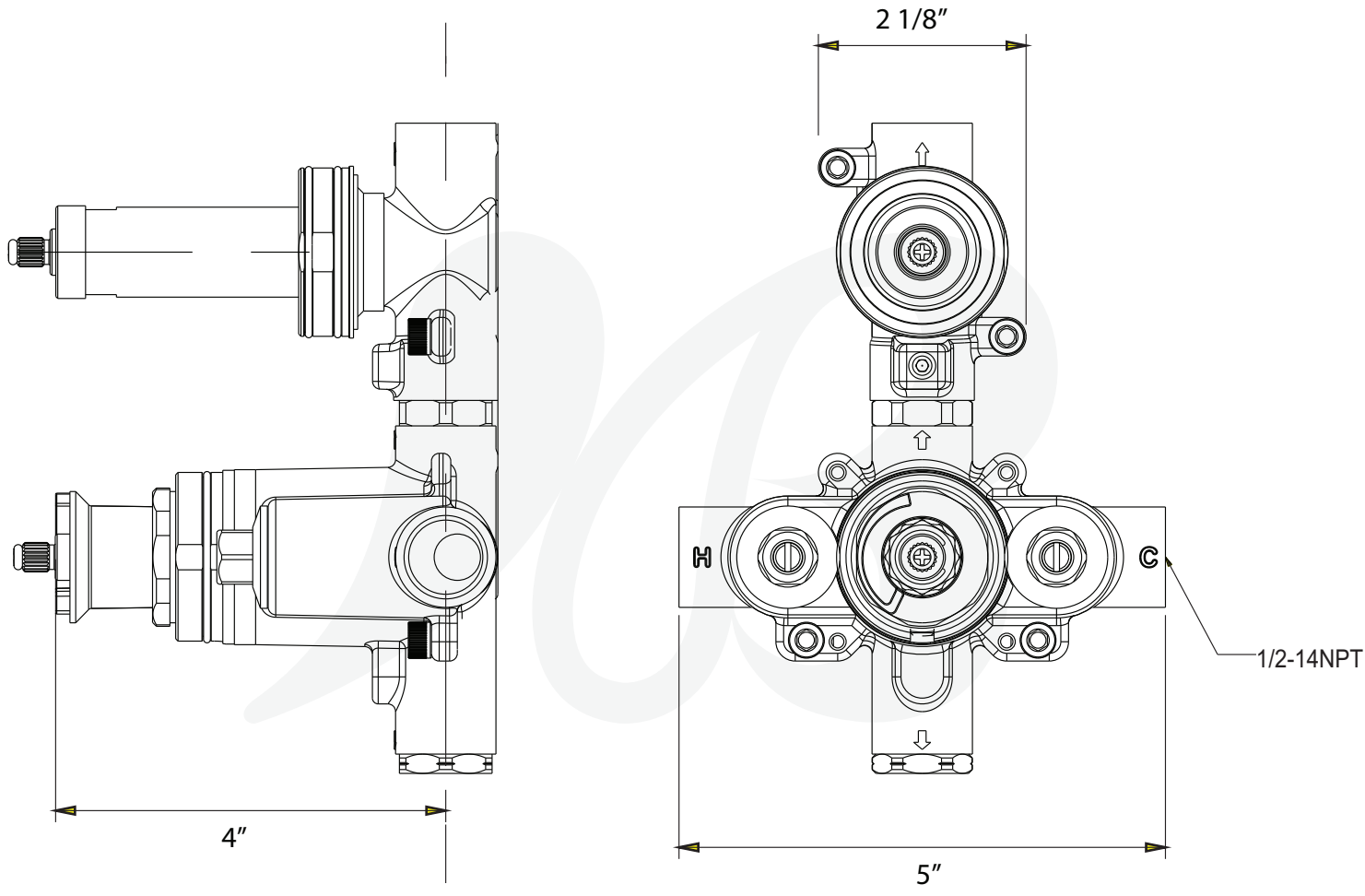
- Complies with IAPMO UPC/cUPC
- ASSE 1016-2011 compliant



BREAK DOWN
Component Parts List

1	CTMP0061	CONNECTOR	1
2	CTRR0168	O-RING	2
3	CTMB0865	SHANK	1
4	CTRR0204	O-RING	3
5	CTNB0384	NUT	1
6	CTST0286	SCREW	1
7	CTMB0800	SHANK	1
8	CTRR0126	O-RING	1
9	CTMB0866	NUT	1
10	ATBA0277-XR	DIVERTER	1
11	CTRR0206	O-RING	1
12	CTYB0771	BODY	1
13	CTST0177	SCREW	1
14	CTRR0197	O-RING	2
15	CTMB0805	CONNECTOR	1
16	CTRR0045	O-RING	2
17	CTYB0720	BODY	1
18	CTTB0048	NUT	1
19	ATBA0310-XD	COLD CHECKVALVE	1
20	ATBA0310-XR	HOT CHECKVALVE	1
21	ATBA0314	THERMOSTATIC	1
22	CTST0293	SCREW	4
23	CTNB0373	BONNET	1
24	CTMB0801	CONNECTOR	1
25	CTST0050	SCREW	1
26	CTCP0520	CAP	1
27	CTMP0053	CONNECTOR	2
28	CTCP0521	COVER	1
29	CTST1008	SCREW	2





Item Number	Type	Date
P2023199-1	Rough-in Valve	10/26/2017