

PCB98401, PCB98402, PCB98403, PCB98414, PCB98416, PCB98449 - Face Plate Trim
Description
ROUND THREE BUTTON VALVE FACEPLATE TRIM

- Face plate with temperature handle
- **Lower handle sold separately**

* For use with P3323199 valve

* Due to flow restrictions it is not recommended to use all three buttons at the same time.

Standards

- Complies with IAPMO UPC/cUPC



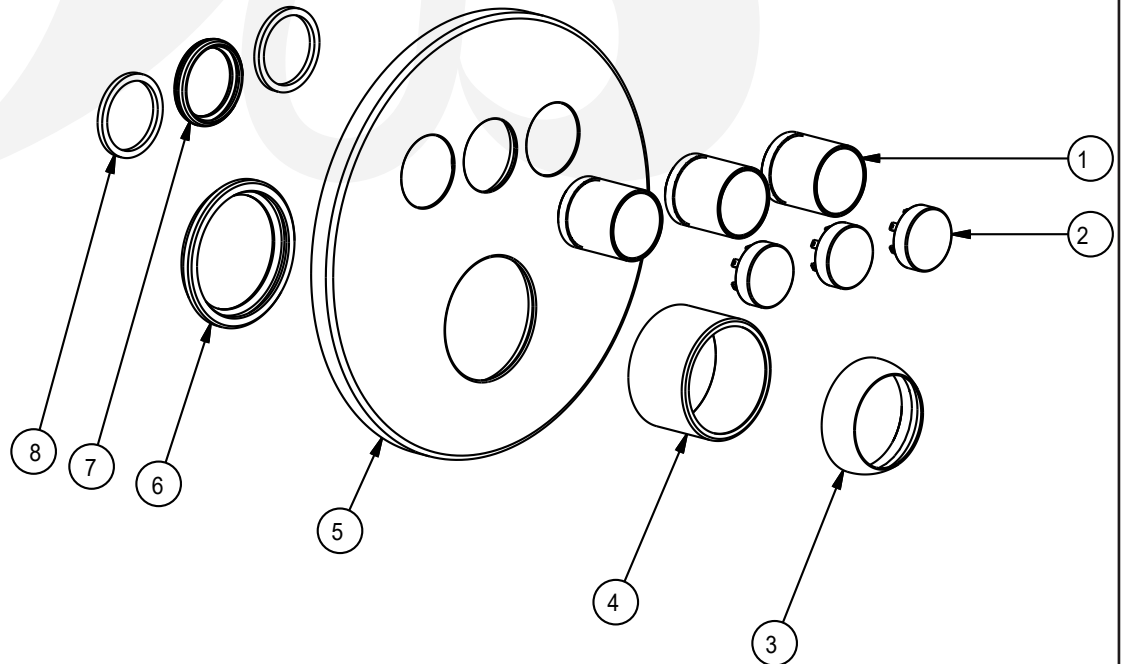
• PCB98401

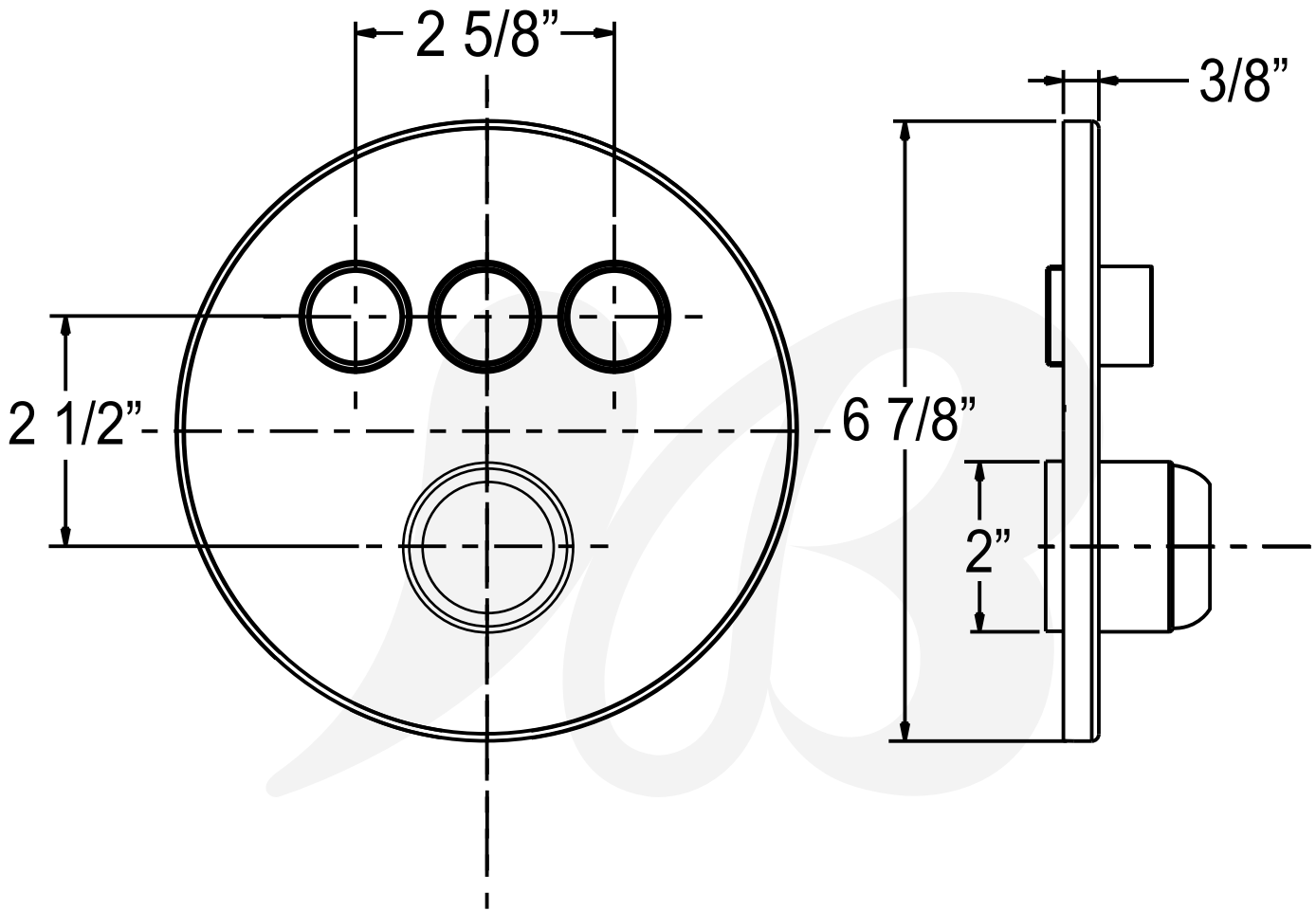
Colors / Finishes

PCB98401	Chrome
PCB98402	PVD Satin Nickel
PCB98403	Antique Bronze
PCB98414	PVD Polished Nickel
PCB98416	PVD Satin Brass
PCB98449	Matte Black

BREAK DOWN
Component Parts List

NO.	Part Number	Quantity
8	CTWP0317	2
7	CTWR0424	1
6	CTWR0356	1
5	CTCB0984	1
4	CTCB0670	1
3	CTCB0185	1
2	CTCP0605	3
1	CTCB0988	3





Item Number	Type	Date
PCB98401,PCB98402,PCB98403,PCB98414,PCB98416,PCB98349	Push Button Shower	9/23/2021