

S6520301-1 S6520302-1 - Thermostatic Package

Description

Thermostatic Shower package one includes:

- Shower arm - (P08281xx-1)

- Shower head - (P21273xx)
- 1.5 GPM ASME Compliant
- 1/2" Connection

- Valve trim - (P15251xx)
- Includes:
 - Face plate
 - Lever handles
 - Decorative sleeve for valve

- Thermostatic valve - (P3023199)
- Solid brass construction
- 1/2" Thermostatic valve body with built in two way diverter and stop
- Flow rate: 10 GPM @ 60 PSI
- Made in ITALY
- 1/2" Connections

- Hand shower - (P22313xx)
- Single setting hand shower

- Wall bracket - (P06321xx)
- Solid brass construction
- Hose - (P01413xx)

- Supply elbow - (P04331xx)
- Solid brass construction



S6520301-1

Standards

- Complies with IAPMO cUPC
- ASSE 1016
- ADA Accessibility Guidelines for Buildings and Facilities - 4.27.4 Controls and Mechanisms (lever handle only)

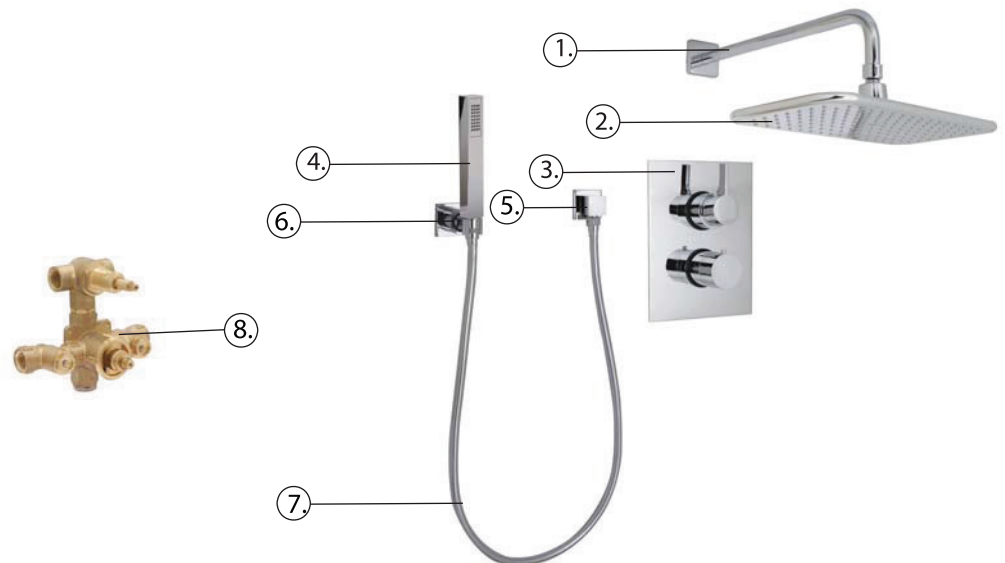


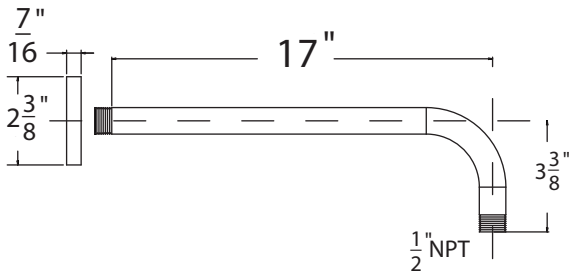
Colors / Finishes

- S6520301-1 - Chrome
- S6520302-1 - PVD Satin Nickel

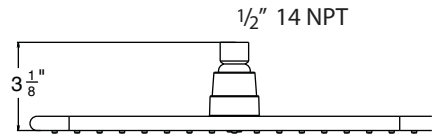
**BREAK DOWN
Component Parts List**

| NO. | Part No | Qty |
|-----|-------------|-----|
| 01 | P008281xx-1 | 1 |
| 02 | P21273xx | 1 |
| 03 | P15251xx | 1 |
| 04 | P22313xx | 1 |
| 05 | P04331xx | 1 |
| 06 | P06321xx | 1 |
| 07 | P01413xx | 1 |
| 08 | P3023199 | 1 |
| | | |
| | | |
| | | |
| | | |
| | | |

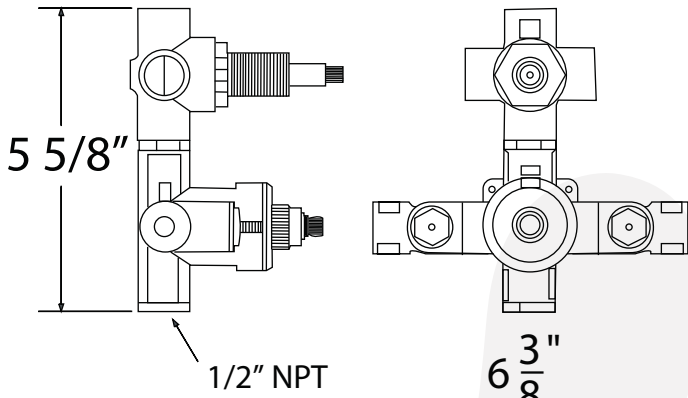
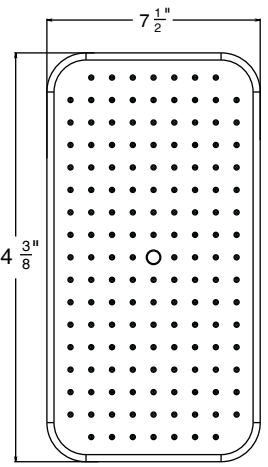




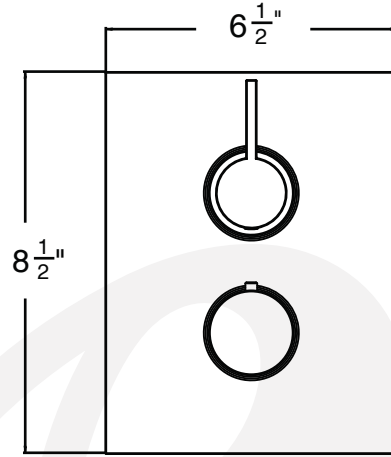
Shower arm - P08281xx-1



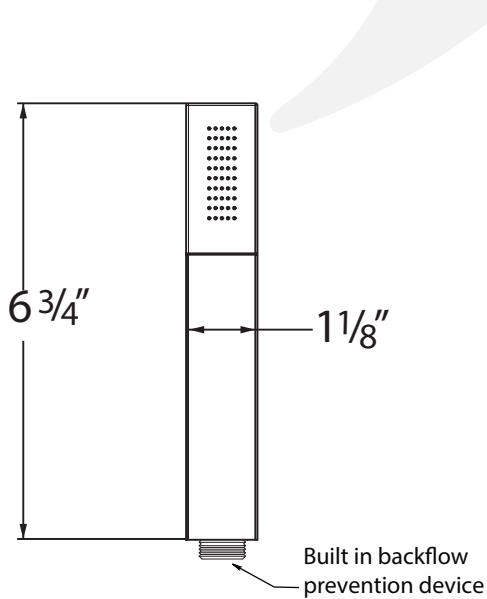
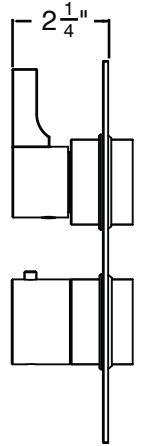
Shower Head - P21273xx



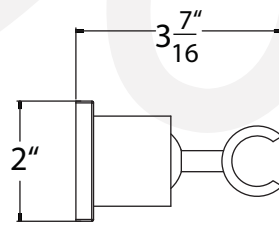
1/2" Thermostatic valve - P3023199



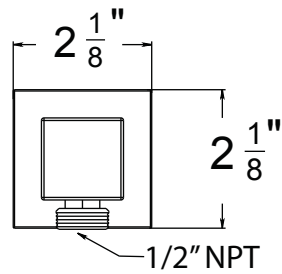
Valve Trim - P15251xx



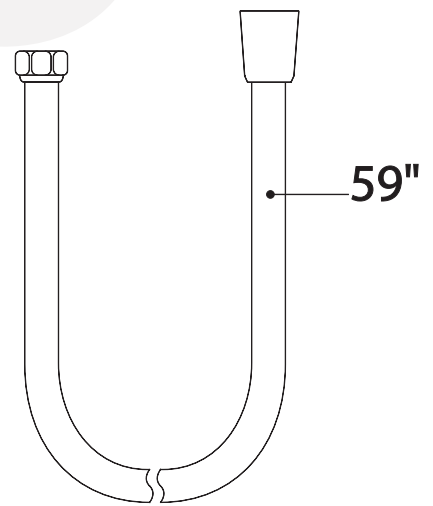
Hand Shower - P22313xx



Wall Bracket - P06321xx



Supply Elbow - P04331xx



Hose - P01413xx

| Item Number | Type | Date |
|------------------------|-------------------------------|------------|
| S6520301-1, S6520302-1 | 1/2" Thermostatic Package One | 10/24/2016 |