

S7760101, S7760129, S7760103 - Deck Mounted Tub Filler

Description

- Cast brass deck-mount tub & shower
- Ceramic disc cartridges
- Procelain cross handles
- 60" brass shower hose

Standards

- ASME A112.18.1 Compliant
- Listed IAPMO cUPC
- CSA B125.1 Compliant and listed

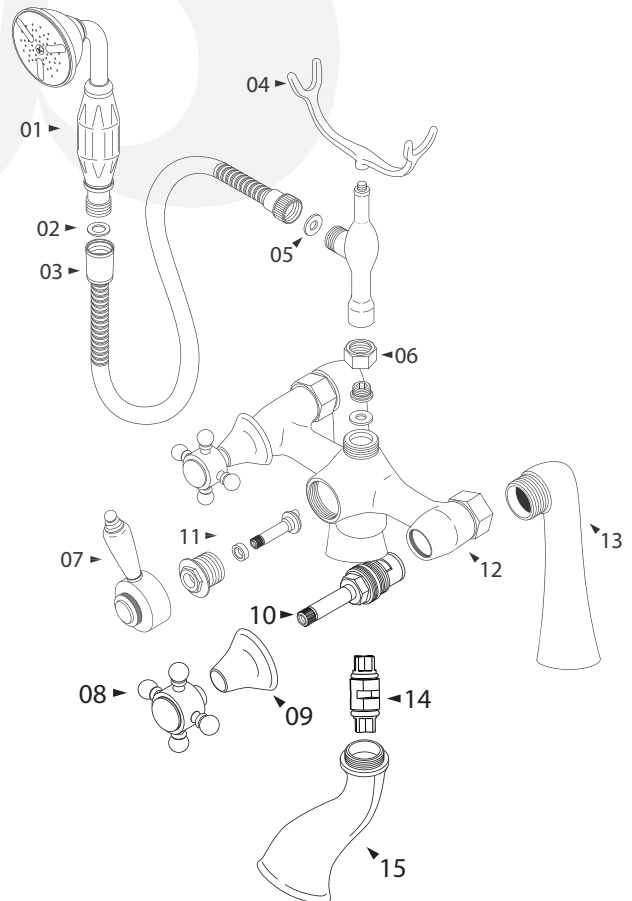


Colors / Finishes

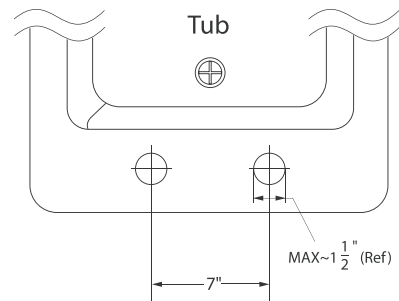
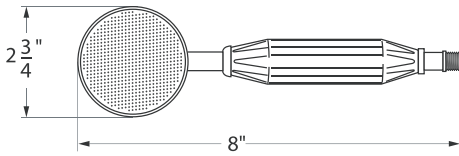
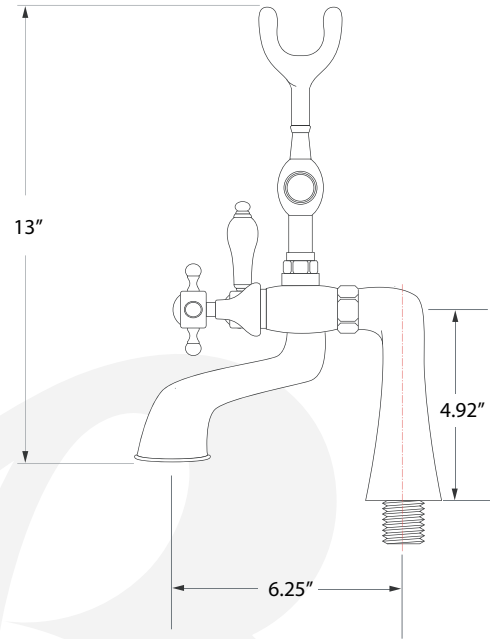
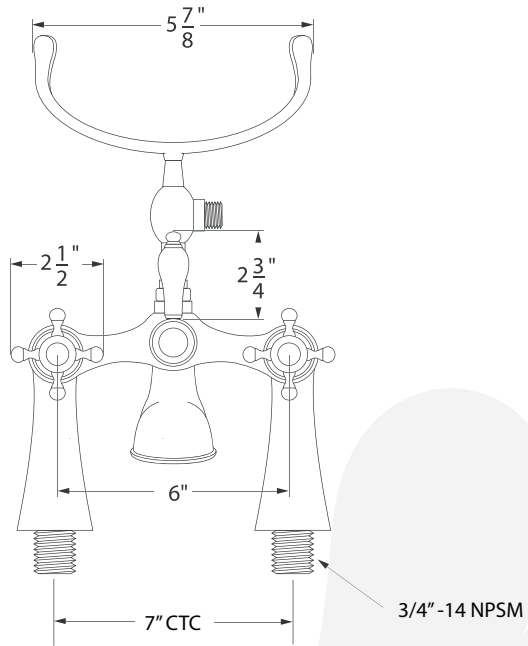
- S7760101 - Chrome
- S7760129 - Satin Nickel
- S7760103 - Antique Bronze

**BREAK DOWN
Component Parts List**

#	PART NAME	QTY
1	HAND SHOWER WITH BUILT-IN BACKFLOW PREVENTION DEVICE	1
2	RUBBER SEAL RING	1
3	SHOWER HOSE	1
4	CRADLE	1
5	RUBBER SEAL RING	1
6	HEXLOCK NUT	1
7	DIVERTER HANDLE	1
8	CROSS HANDLE	2
9	BONNET	2
10	CARTRIDGE HOT AND COLD	1 ea
11	DIVERRETR MECHANISM	1
12	FAUCET MAIN HOUSING	1
13	MOUNTING LEGS	1 SET
14	ABS PLUNGER	1
15	SPOUT	1



SPECIFIED MODEL



Item Number	Type	Date
S7760101, S7760129, S7760103	TUB AND SHOWER	4-6-2016