

S7982001, S7982002, S7982014, S7982016, S7982049 - Transfer Valve Set

Description

- Two piece Transfer valve set
- Brass hand shower
- 59" metal shower hose
- 3/4" NPSM connections
- 1.5 GPM @ 60 PSI Handshower

Standards

- ASME A112.18.1 Compliant
- Listed IAPMO / UPC & CUPC
- ADA Accessibility Guidelines for Buildings and Facilities - 4.27.4 Controls and Mechanisms (lever handle only)
- CSA B125.1 Compliant



S7982001

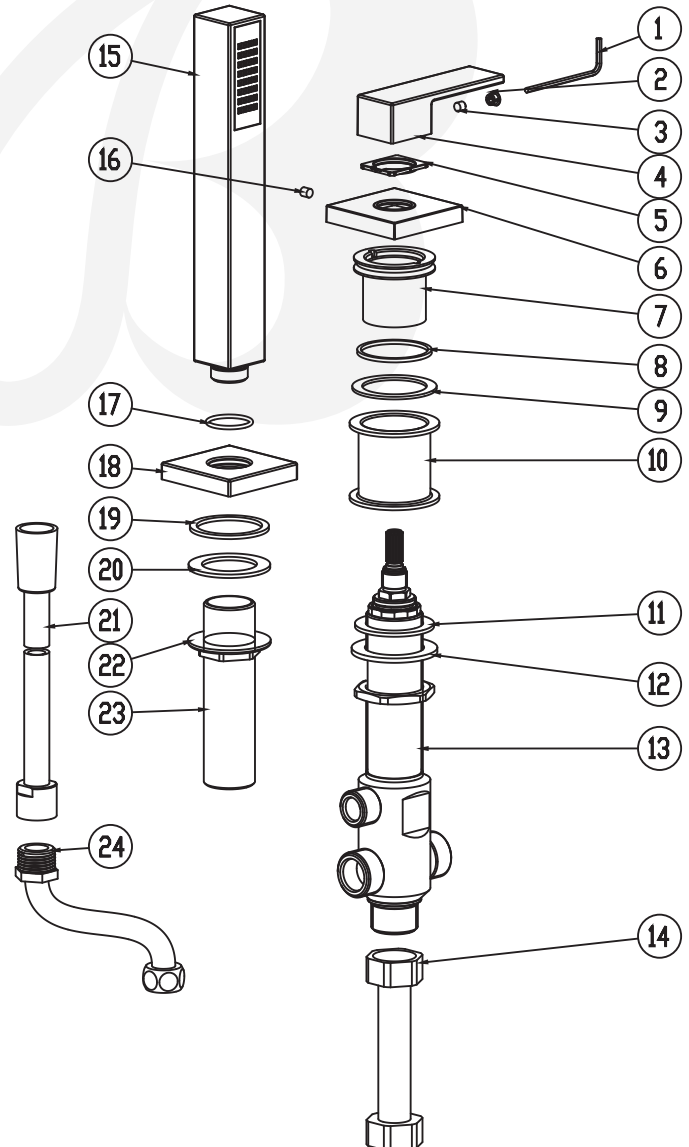


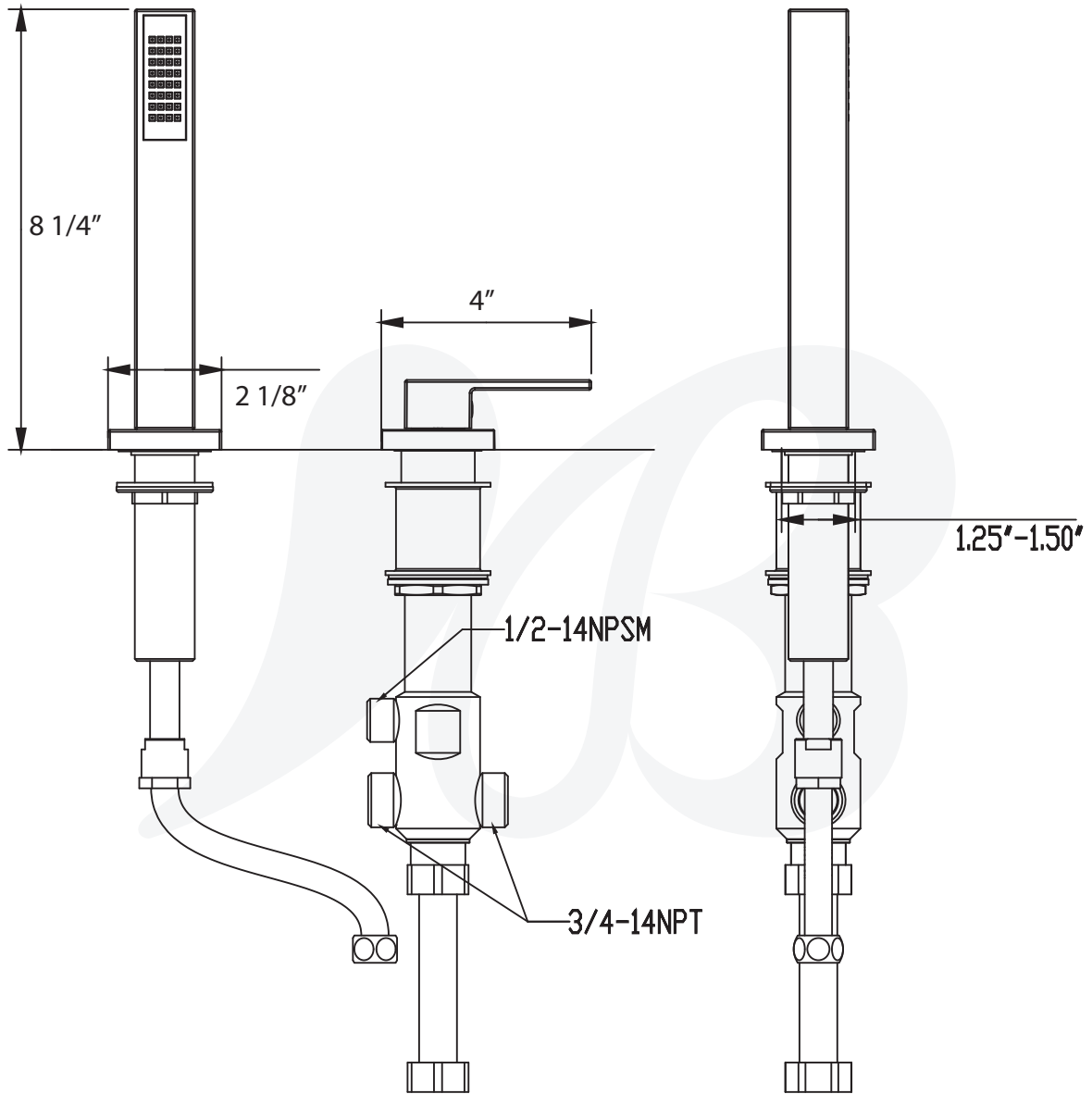
Colors / Finishes

- S7982001 - Chrome
- S7982002 - PVD Satin Nickel
- S7982014 - PVD Polished Nickel
- S7982016 - PVD Satin Brass
- S7982049 - Matte Black

**BREAK DOWN
Component Parts List**

NO.	Drawing No.	Part Description	Quantity
1	CCQT0002	HEX WRENCH	1
2	CTCP0072	HANDLE KNOB	1
3	CTST4101	SCREW	1
4	CTHZ0641	HANDLE	1
5	CTWP0294	SALE	1
6	CTCZ0292	HANDLE COVER	1
7	CTDB0600	NUT	1
8	CTWR0060	WASHER	1
9	CTWR0272	WASHER	1
10	CTCT0035	PIPE	1
11	CTWR0259	WASHER	1
12	CTWT0053	WASHER	1
13	ATBY0235	SHANK	1
14	ATBP0013	HOSE	1
15	ATBE0164	SHOWER	1
16	CTST0161	SCREW	1
17	CTRR0142	O-RING	1
18	CTDB0297	SHOWER SEAT	1
19	CTWR0207	WASHER	1
20	CTWR0061	WASHER	1
21	ATBP0003	HOSE	1
22	CTNB0016	NUT	1
23	CTPB0265	SHANK	1
24	ATBP0032	HOSE	1





Model number	Item	Date
S7982001, S7982002, S7982014, S7982016, S7982049	Handshower Diverter Set	5-1-2019