



**Single Handle Tub & Shower -  
HB5940RI - Rough-in  
TR5940 / TR5945/ TR5950 / TR5955  
TR5955J - Trim Kit**

\* Replace "TR" with "HB" for whole set

**Description**

- Single handle tub & shower faucet
- Forged brass valve body w/ integral stops
- Ceramic disc cartridge w/ B2B
- Pressure balanced ASSE 1016
- Universal fittings (1/2" CC & 1/2" IPS)
- 3 setting ABS massage shower head

**Standards**

- ASME A112.18.1 Compliant
- Listed IAPMO / UPC
- ADA Accessibility Guidelines for Buildings and Facilities - 4.27.4 Controls and Mechanisms (lever handles only)
- CSA B125.1 Compliant and listed



• HB5940

• HB5945

• HB5950

• HB5955

• HB5955J

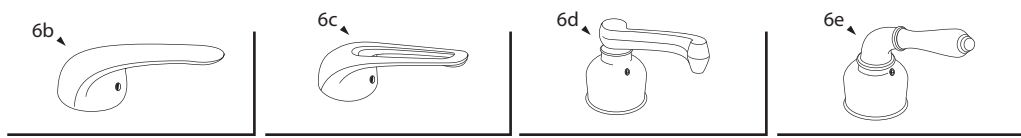
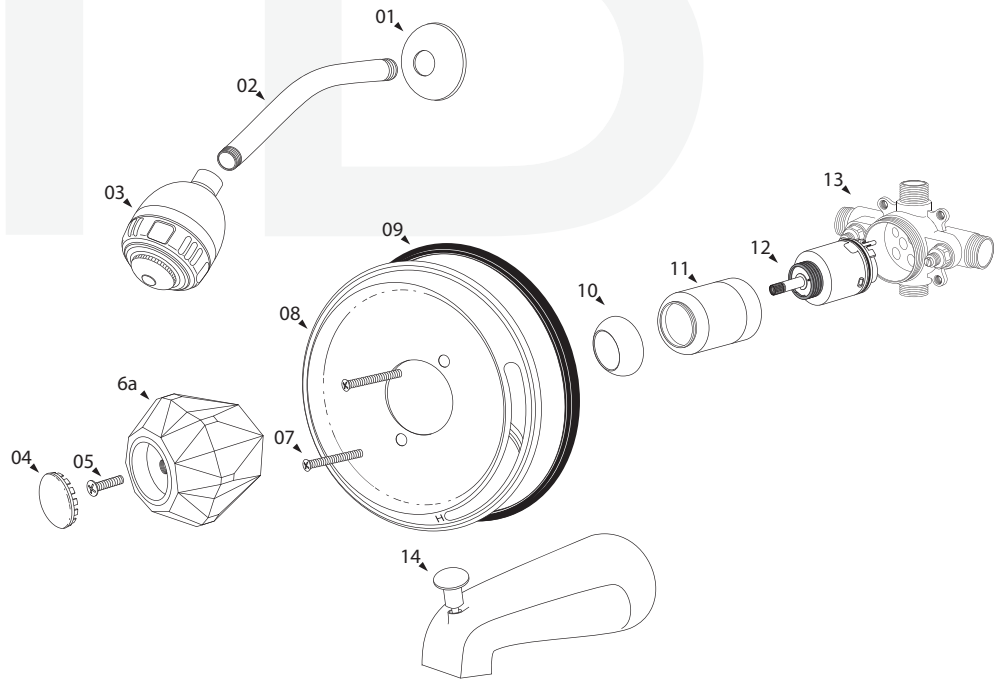
**Colors / Finishes**

- C - Chrome
- 20 - Antique Bronze
- NK - Satin Nickel
- 22 - Antique Nickel

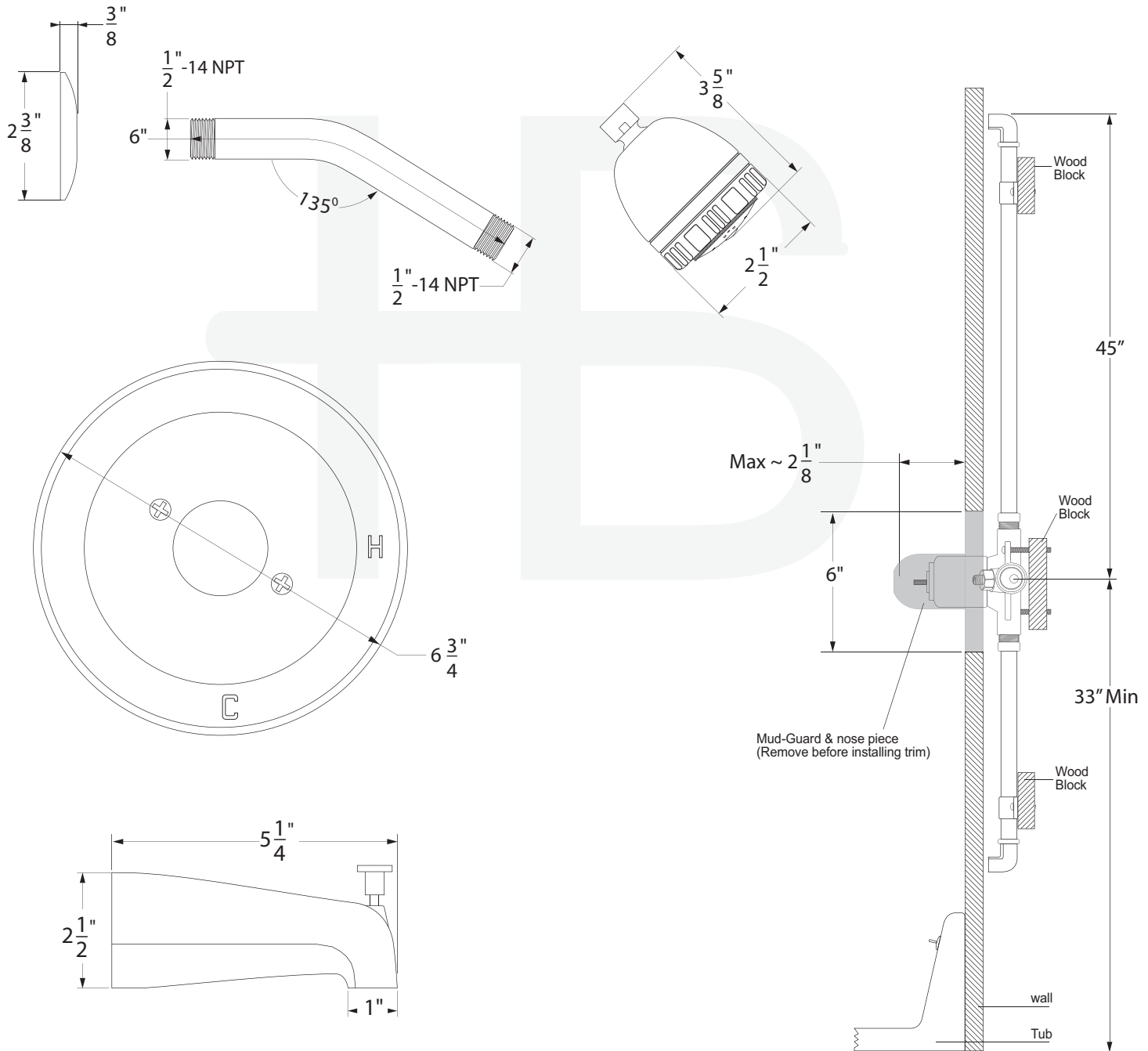
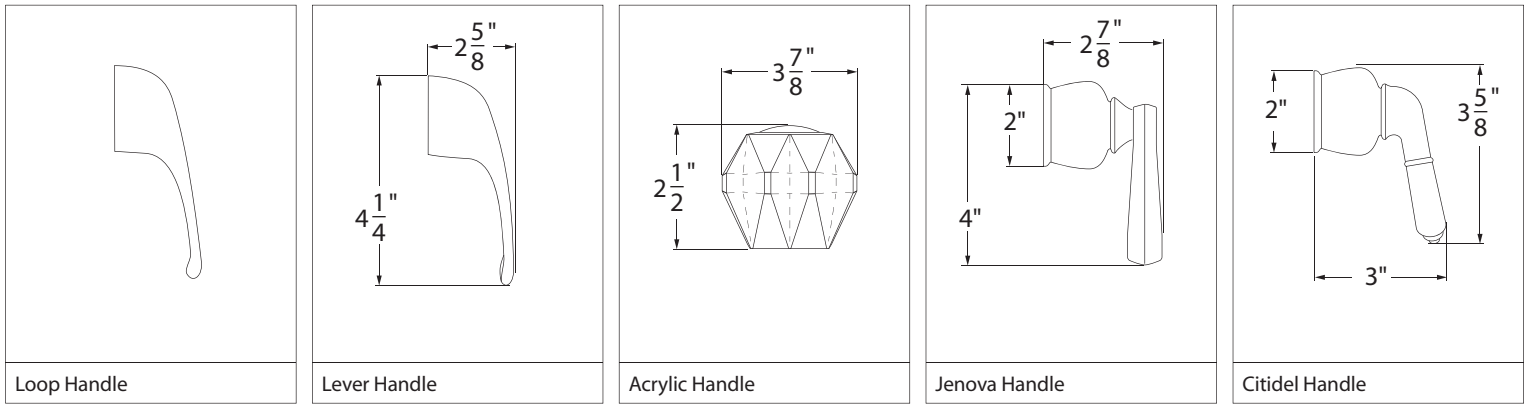
Handle Option
Acrylic / Lever / Loop / Citidel / Jenova

**BREAK DOWN  
Component Parts List**

#	PART NAME	QTY
1	SHOWER FLANGE	1
2	SHOWER ARM	1
3	SHOWER HEAD	1
4	INDEX BUTTON	1
5	SET SCREW	1
6a	ACRYLIC HANDLE (TR5950)	1
6b	LEVER HANDLE (TR5940)	1
6c	LOOP HANDLE (TR5945)	1
6d	"JENOVA" HANDLE (TR5955J)	1
6d	"CITIDEL" HANDLE (TR5955)	1
7	FACE PLATE SCREW	2
8	FACE PLATE	1
9	SEAL RING	1
10	CAP	1
11	SLEEVE	1
12	CARTRIDGE	1
13	VALVE BODY	1
14	TUB SPOUT	1



# SPECIFIED MODEL - Handle Options



Item Number	Type	Date
HB5940RI / TR5940 / TR5945 / TR5950 / TR5955 / TR5955J	One Handle Tub & Shower	12/13/2005