

W3180501-1, W3180502-1 - Single Control Lavatory Faucet

Description

- Single handle, single hole faucet
- One piece brass body
- Ceramic disc cartridge
- 1.2 GPM @ 60 PSI
- SS hoses with 3/8" compression nuts

Standards

- Complies with IAPMO UPC/cUPC
- California AB1953 compliant
- ADA Accessibility Guidelines for Buildings and Facilities - 4.27.4 Controls and Mechanisms



• W3180501-1

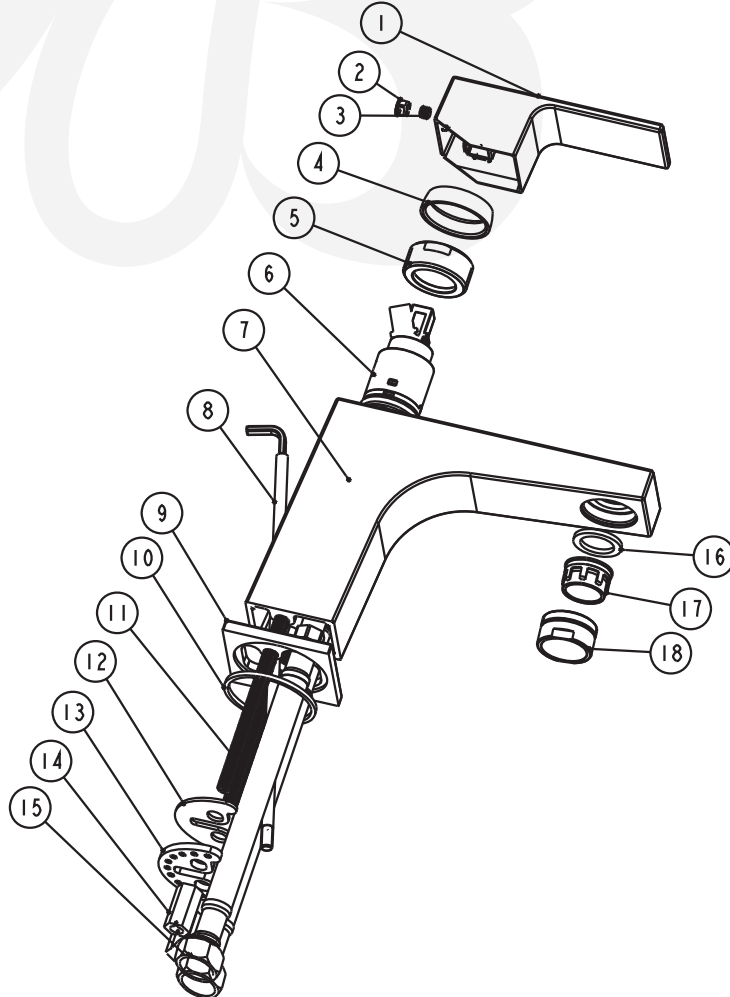


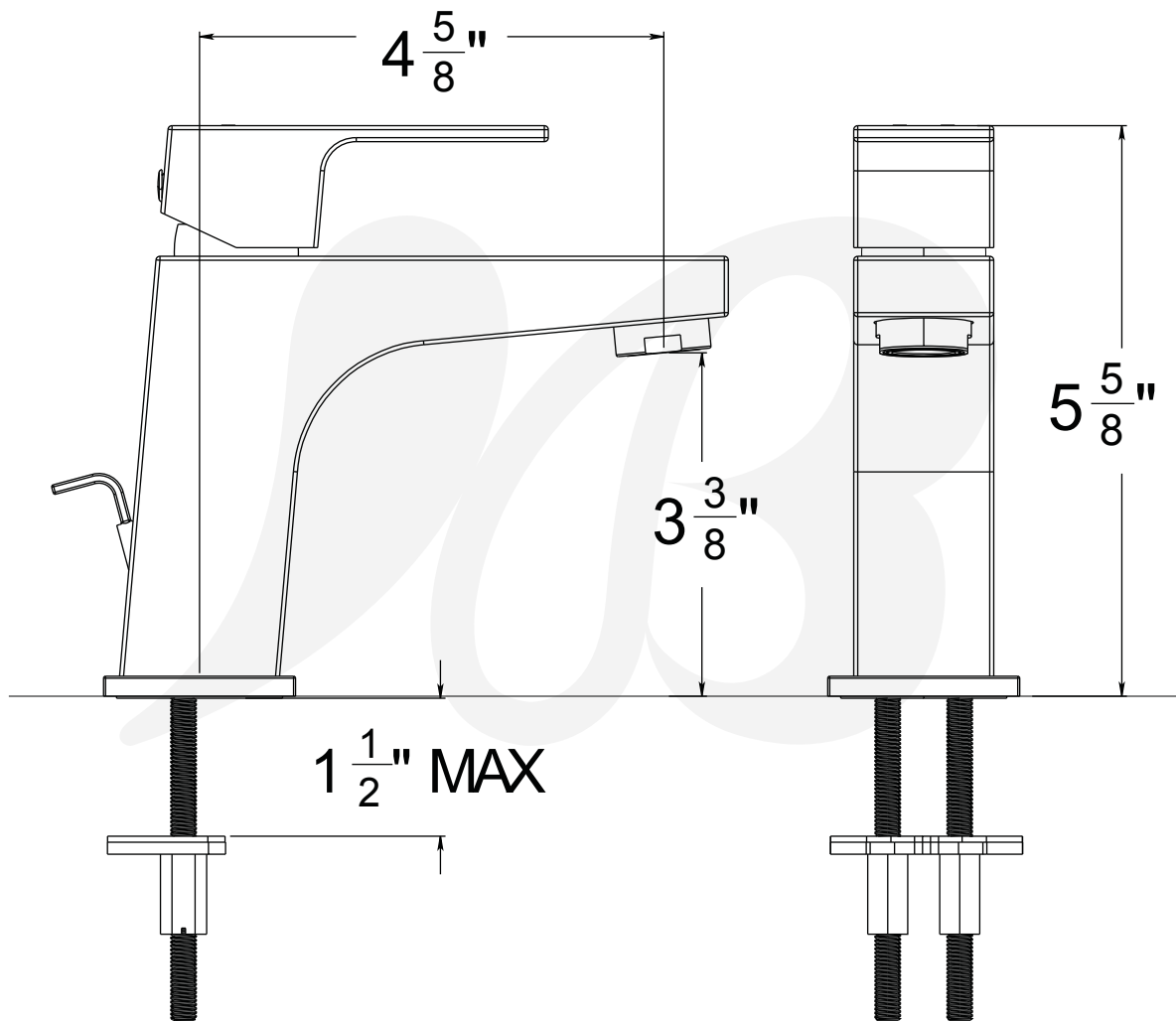
Colors / Finishes

- W3180501-1 - Chrome
- W3180502-1 - PVD Satin Nickel

**BREAK DOWN
Component Parts List**

NO.	Part No	Qty
01	CTHZ0332	1 1
02	CTCP0072	1 1
03	CTST0084	1 1
04	CTCB0628	1 1
05	CTCB0416	1 1
06	ATBA0130	1 1
07	CTYN0058	1
07	CTYB0508	1
08	CTMB0501	1 1
09	CTDZ0076	1 1
10	CTWR0060	1 1
11	CTST0013	2 2
12	CTWR0028	1 1
13	CTWT0059	1 1
14	CTNB0063	2 2
15	ATBP0068	2
15	ATBP0001	2
16	CTWR0021	1 1
17	ATBX0040	1
17	ATBX0037	1
18	CTXB0053	1
18	CTXB0057	1





Item Number	Type	Date
W3180501-1, W3180502-1	Single Control	5/25/2011