

W3501201, W3501229, W3501203, W3501213, W3501214 - Vessel Filler
Description

- Single hole bar faucet
- Ceramic disc cartridges
- Brass lever handles
- Solid brass construction

Standards

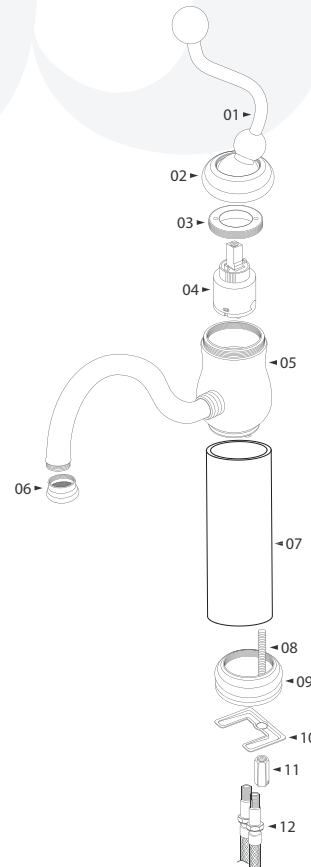
- ASME A112.18.1 Compliant
- Listed IAPMO / cUPC
- ADA Accessibility Guidelines for Buildings and Facilities - 4.27.4 Controls and Mechanisms (lever handle only)
- NSF - 61-9 tested and approved
- CSA B125.1 Compliant and listed
- California AB 1953 Compliant


Colors / Finishes

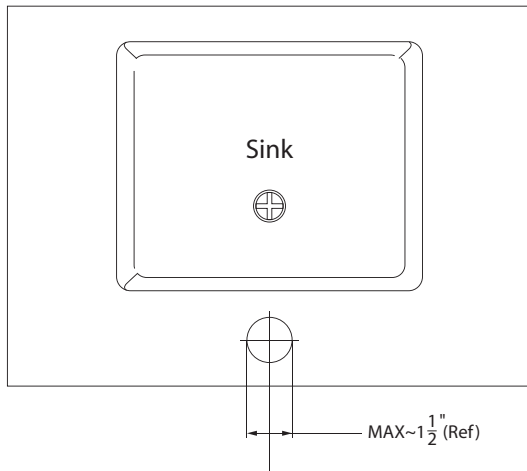
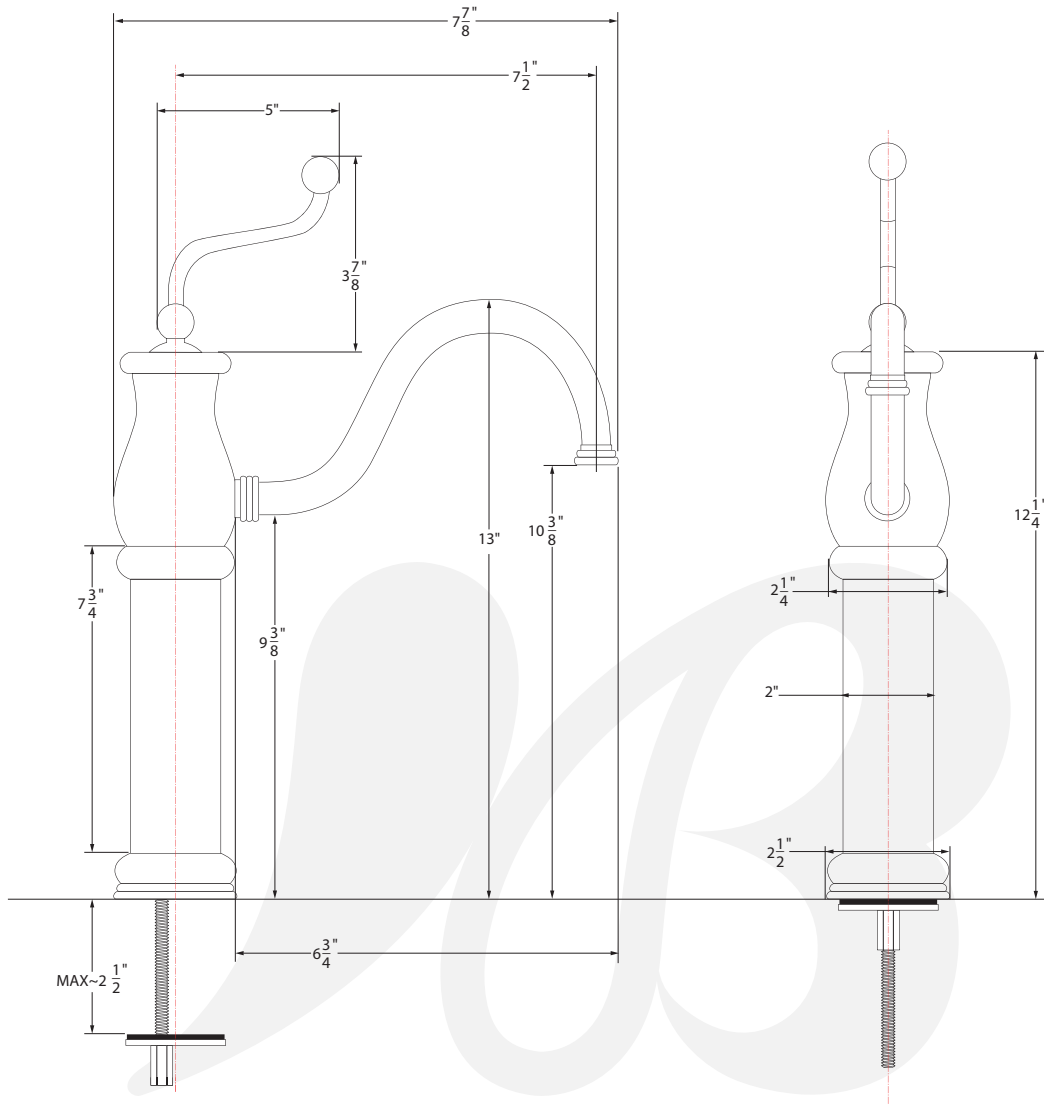
- W3501201 - Chrome
- W3501202 - PVD Satin Nickel
- W3501203 - Antique Bronze
- W3501213 - PVD Polished Brass
- W3501214 - PVD Polished Nickel

**BREAK DOWN
Component Parts List**

#	PART NAME	QTY
1	HANDLE TIP	1
2	BONNET	1
3	CARTRIDGE RETAINING NUT	1
4	CERAMIC DISC CARTRIDGE	1
5	HUB AND SPOUT	1
6	AERATOR ASSEMBLY	1
7	EXTENSION CYLINDER	2
8	SCREW RODS	1
9	FLANGE STEP	1
10	MOUNTING BRACKET	1
11	HEX LOCK NUTS	2
11	HOT AND COLD SUPPLY LINES	1 ea.



SPECIFICATION



Item Number	Type	Date
W3501201, W3501229, W3501203, W3501213, W3501214	Lavatory	3-25-2016