

**W4310501 - 4" Center Set Faucet**

**Description**

- Metal wrist blade handles
- 90 degree turn brass Ceramic disc cartridges
- 1/2" NPS connections
- 1.2 GPM ASME Compliant

**Standards**

- Complies with IAPMO UPC/cUPC
- California AB1953 compliant
- ADA Accessibility Guidelines for Buildings and Facilities - 4.27.4 Controls and Mechanisms
- CALGreen compliant
- EPA WaterSense Certified by IAPMO R&T



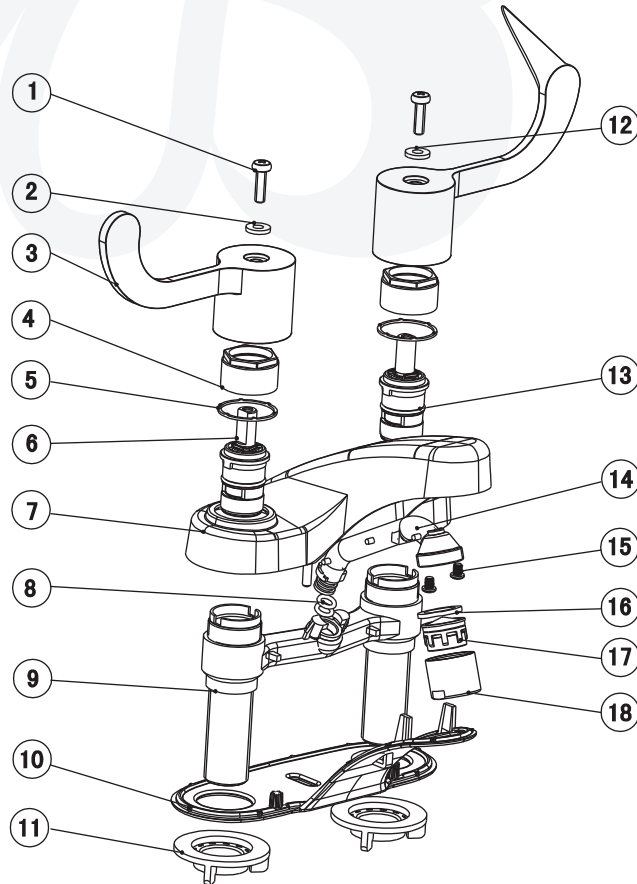
• W4310501

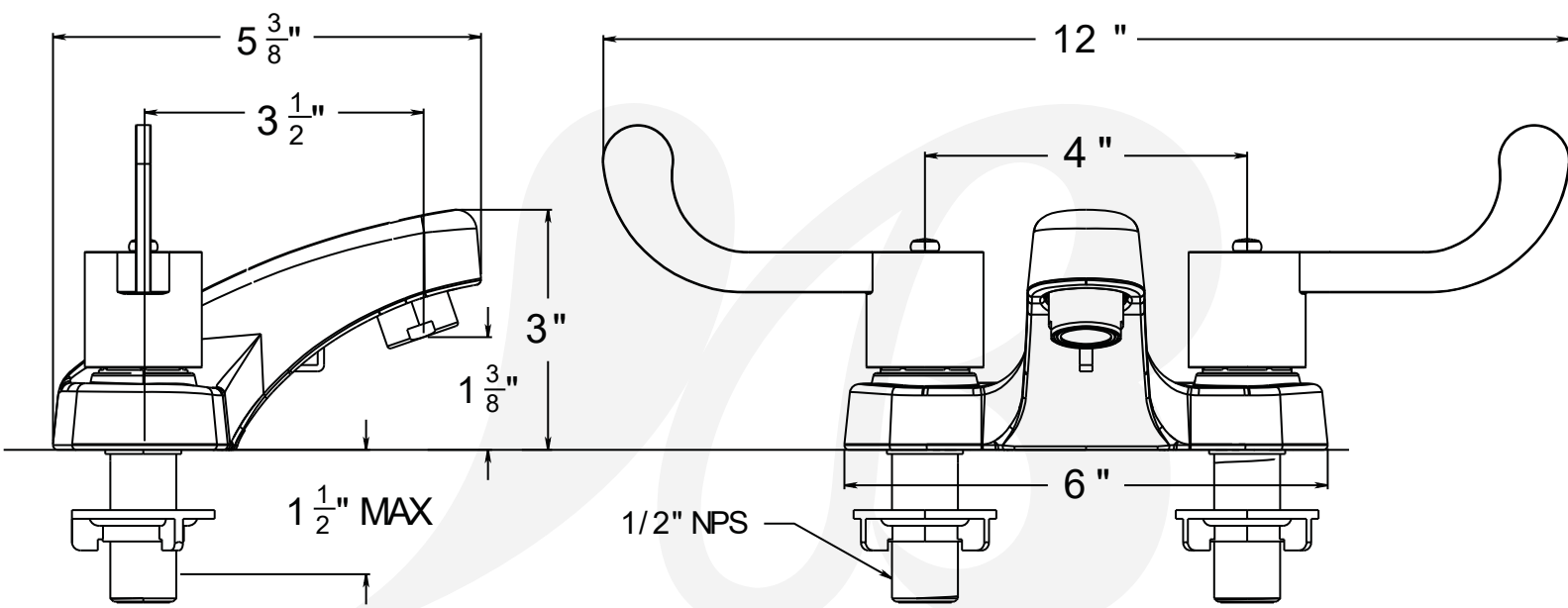
**Colors / Finishes**

W4310501 - Chrome

**BREAK DOWN  
Component Parts List**

NO.	Part No	Qty
01	CTST0057	2
02	CTRP0068-XR	1
03	CTHZ0279	2
04	CTNZ0004	2
05	CTWP0075	2
06	ATBA5008	1
07	CTCZ0157	1
08	CTRR0066	2
09	ATBY0184	1
10	CTCP0365	1
11	CTNP0011	2
12	CTRP0068-XD	1
13	ATBA5007	1
14	CTPP0036	1
15	CTST1000	2
16	CTWR0021	1
17	ATBX0040	1
18	CTXB0071	1





Item Number	Type	Date
W4310501	Center SEt	2-3-2016