



WYTHxxPK3 - Premium Thermostatic package

Description

- Shower arm - (1506-xx)
- Brass Construction.
- Shower head - (238-xx)
- 2.0 GPM ASME Compliant
- 1/2" IPS Conection
- Handle trim (2) - (WBLxx)
- Brass Construction.
- Stop valves (2) - (PL2000W)
- 3/4" Fittings
- Ceramic disc cartridge.
- Valve trim - (WY8950-xx)
- Brass lever handle
- Square forged brass face plate
- Thermostatic valve - (PL8950-00)
- Super high flow 3/4" Thermostatic valve body
- Complies w/ ASSE 1016 standard
- Flow Rate : 20 GPM
- Made in ITALY
- IAPMO listed and approved UPC
- Handshower (114-xx)
- Brass Construction.
- Dual check valve.
- 2.0 GPM ASME Compliant
- Slide Bar (SH100-xx)
- Brass swivel ball joint.
- Solid brass construction.
- Hose (940-xx)
- 59" Metal Hose.
- Spiral Construction.
- Cone nut with o-ring.
- Supply Elbow (973R-xx)
- 1/2" NPT Connection to wall.
- Standard 1/2" IPS hose connection.
- Solid Brass construction.

• WYTHxxPK3



Standards

- Complies with IAPMO cUPC
- Complies with ASSE 1016
- ADA Accessibility Guidelines for Buildings and Facilities - 4.27.4 Controls and Mechanisms (lever handle only)

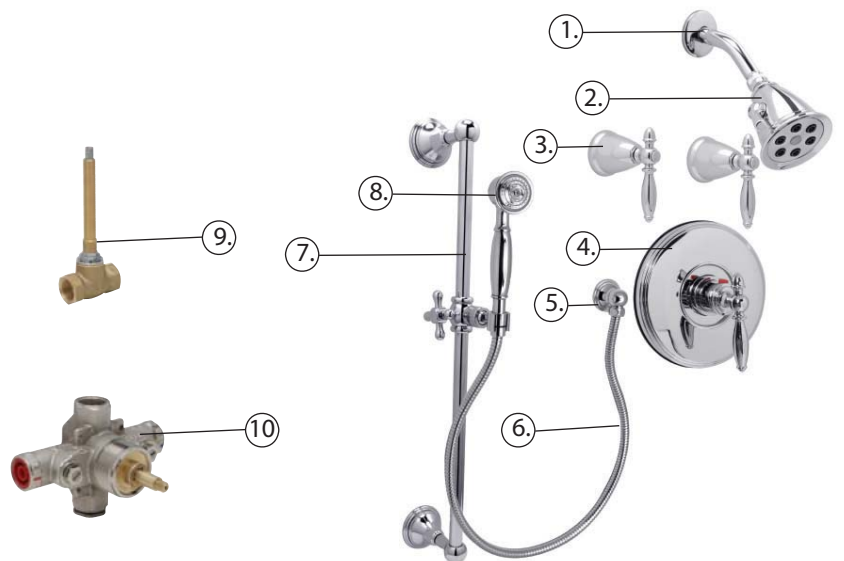


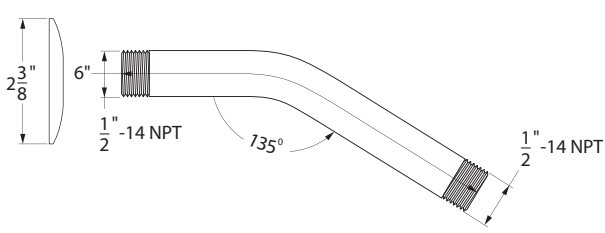
Colors / Finishes

- 01 - Chrome
- 20 - Antique Bronze
- 72 - PVD Satin Nickel
- xx - Special Finish (Please reference the Platinum Catalog)

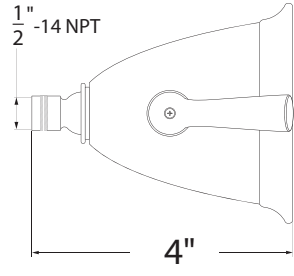
**BREAK DOWN
Component Parts List**

NO.	Part No	Qty
01	1506-XX	1
02	238-XX	1
03	WBL-XX	2
04	WY8950-XX	1
05	973R-XX	1
06	940-XX	1
07	SH100-XX	1
08	114-XX	1
09	PL2000W	2
10	PL8950-00	1

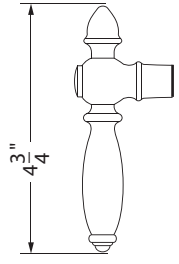




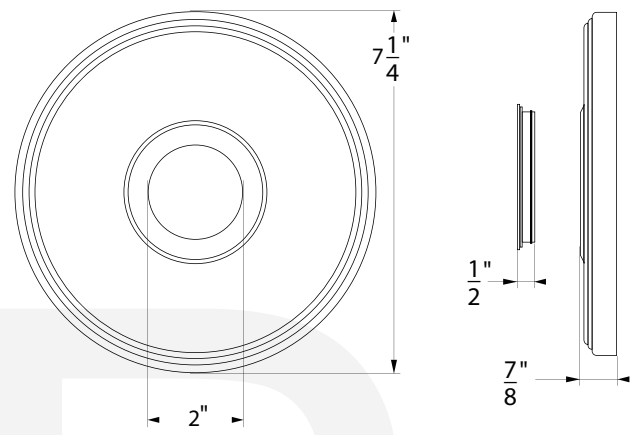
Shower arm 1506-xx



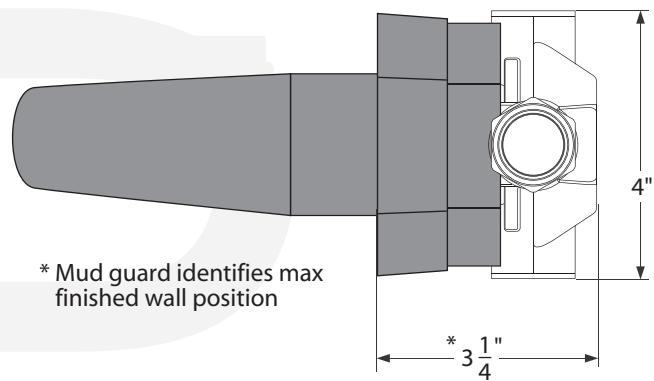
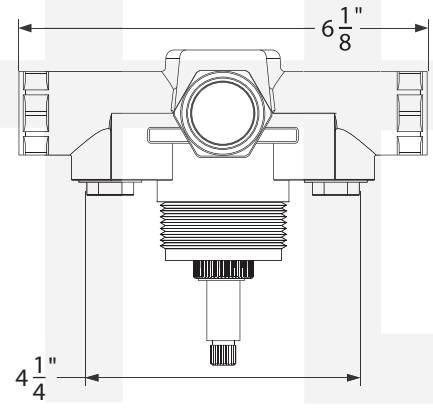
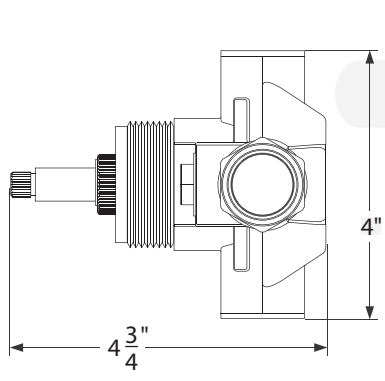
Shower head 238-xx



Handle

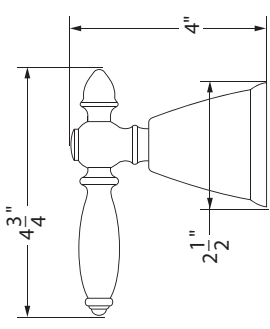


Face Plate PL9962-xx

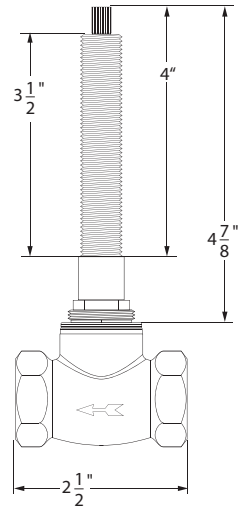


* Mud guard identifies max finished wall position

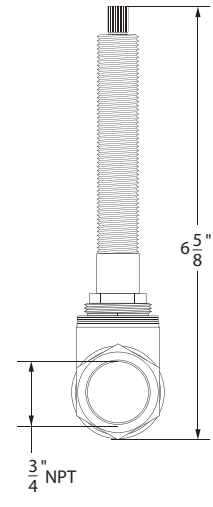
Thermostatic Valve PL8950



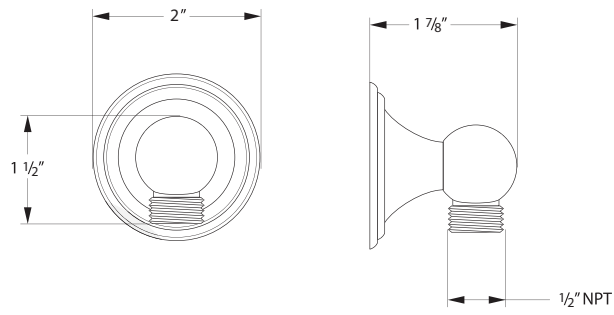
Handle Trim WBL-xx



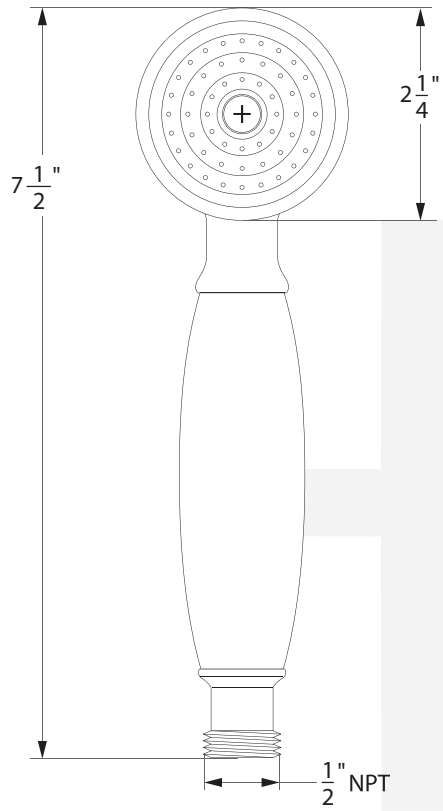
Stop Valve PL2000W



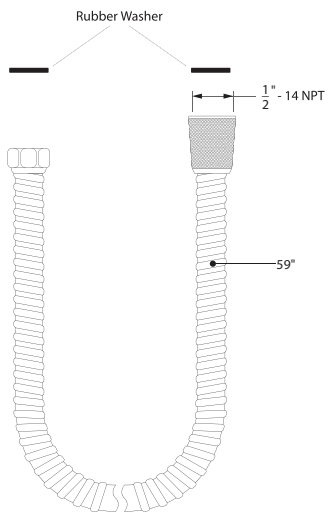
Item Number	Type	Date
WYTHxxPK3	Premium Thermostatic Package	4/18/2011



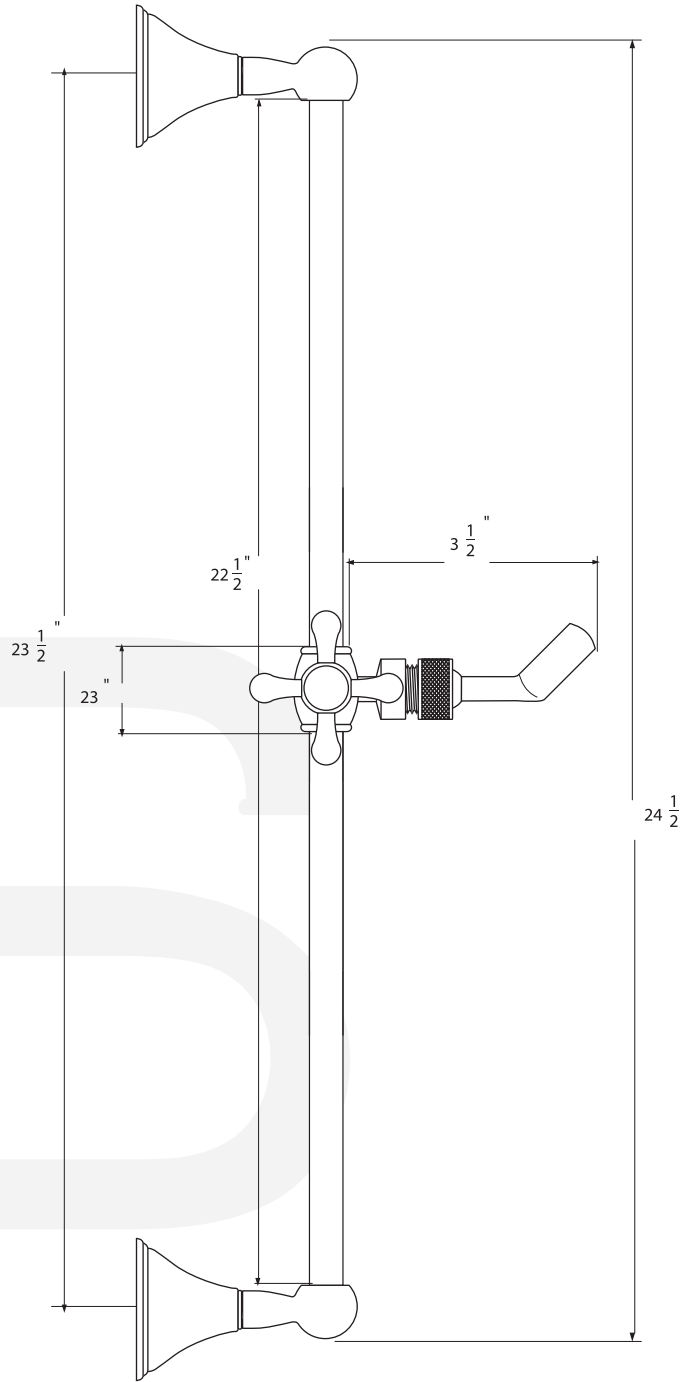
Supply Elbow 973R-xx



Handshower 114-XX



Hose 940-XX



Slide Bar SH100-xx

Item Number	Type	Date
WYTHxxPK3	Premium Thermostatic Package	4/18/2011